

# CLIC® FASTENING SYSTEM for cables and pipes



Product  
catalogue  
2018

EFCO Fixing Technology Ltd  
Grabenstrasse 1 · 8606 Nänikon · Switzerland  
Phone +41 44 209 82 03 · Fax +41 44 201 22 75  
info@clik-original.com · www.clik-original.com

**efco**  
.SWISS

smart fixing

<b>Table of content</b>	<b>page</b>
<b>CLIC TOP for highest demands</b>	<b>6</b>
CLIC TOP 8-64 mm (0.307" to 2.52") dark grey	7
CLIC spacers dark grey	8
CLIC base plate	8
DELTA nylon plug	8
Mounting examples	9
Pan-Head wood screw's	10
CLIC flange	11
TILCA flush anchor	11
Double-thread stud	12
TILCA fire resisting anchor	12
<b>System selection for brick and concrete wall's</b>	<b>12/13</b>
Mounting examples with spacer	14
<b>Radiating cable fastening</b>	<b>15</b>
CLIC TOP 15-47 mm black	15
CLIC spacers black square base	15
CLIC spacers black round base	15
Mounting examples with spacer square base	16
<b>NEW SKH New Generation of cable fastening</b>	<b>17</b>
<b>Accessories for NEW SKH</b>	<b>19</b>
Mounting examples with spacer round base	20
<b>System selection for spacer solutions</b>	<b>23</b>
<b>CLIC Top colours white and red</b>	
CLIC TOP white 10 - 47 mm	25
CLIC TOP red 25 and 28 mm	25
<b>CLIC TOP large diameters 63 - 127</b>	
CLIC TOP 63 - 127 mm dark grey	26
CLIC spacers dark grey for CLIC size 63 - 127 mm dark grey	27
Mounting examples for CLIC 63 - 127 mm	27
<b>System selection for spacer solutions</b>	<b>28</b>
<b>Technical data sheet CLIC Top</b>	<b>29ff</b>
<b>CLIC for inhouse applications</b>	<b>3035</b>
CLIC 8-64 mm (0.307" to 2.52") light grey	35/36
Mounting examples	36
CLIC 63 - 127 mm for inhouse applications	37
Accessories for CLIC size 8 - 64 mm light grey	39
CLIC base plate for multiple fastenings	39
DELTA nylon plug	39
Pan-Head wood screw	40
Round-head wood screw with washer	40
CLIC flange M6	40
CLIC flange M8	40
Double-thread stud M6	41
TILCA flush anchor	41
TILCA fire resisting anchor	41
Mounting examples for CLIC on unistrut	42/43
Various accessories for CLIC 63 - 127 mm	43
<b>Technical data sheet CLIC</b>	<b>45ff</b>

[www.clic-original.com](http://www.clic-original.com)

# Do it the professional way

Let us explain, how these days pipes and cables are efficiently mounted. CLIC opens a vast variety of clamping opportunities to you, thanks to a unique, high-quality fastening system.



## CLIC, the system

Continuously improved since 1975, CLIC has proven itself millions of times to keep pipes and cables where they are meant to stay.

The CLIC System covers a vast variety of applications due to its flexibility. It comprises all components needed by a professional to mount pipes and cables.

Next to the hardware, the CLIC System includes the service of an experienced engineer to assist you in all your planning requirements. An extensive experience in various markets and applications around the globe, plus a development division as a system backbone, allow solutions in collaboration with engineers, architects, structural, civil engineering, aircraft engineering and many more highly professional fields.

The CLIC is the proven solution to fasten cable conduits and pipes. It reduces the costs by up to 70 percent by means of saving installation time.

### **The smart solution for elaborate tasks carried out by professionals**

For installations with high demands, public areas or infrastructural buildings, the qualities of CLIC and CLIC TOP are especially recommended due to the high mechanical capacity, the excellent impact and chemical resistance and temperature stability.

### **The best solution for highest demands**

CLIC TOP covers the increasing demand for fastening points in harsh environments. In many road and train tunnels leaky (radiation) cables, providing signals for radio and mobile telecommunications systems, are exposed to various corrupting environmental impacts such as chemicals, water, variation in temperature etc. CLIC TOP products can take it all and keep pipes and cables in place.

---

The CLIC technology is protected by Swiss and international patents held by EFCO Fixing Technology Ltd (EFCO). Trademarks: all product and brand names mentioned in this publication are trademarks or registered trademarks of EFCO or of the respective owner. CLIC, DELTA and TILCA in particular are internationally registered EFCO trademarks. Illustrations are owned by EFCO or reproduced by kind courtesy of their owners.

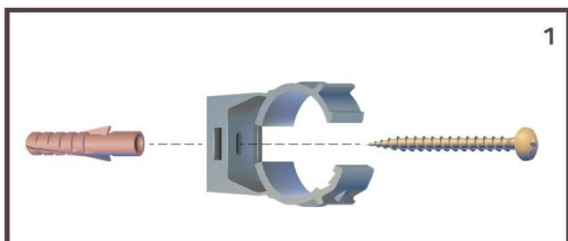
---

[www.clic-original.com](http://www.clic-original.com)

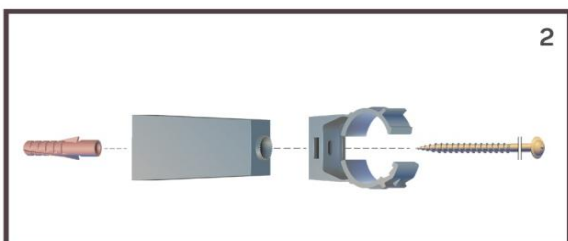
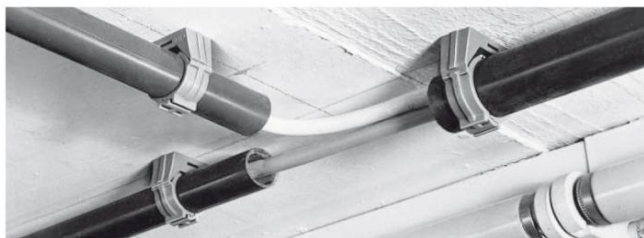
# CLIC 8 to 127 mm diameter

## Mounting with system

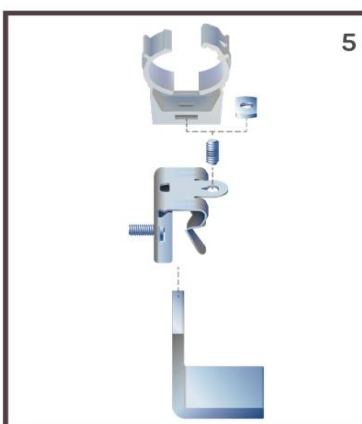
CLIC is more than just a pipe clamp: CLIC is a comprehensive mounting system with perfectly matching parts that can be used separately or combined into customized pre-assembled sets.



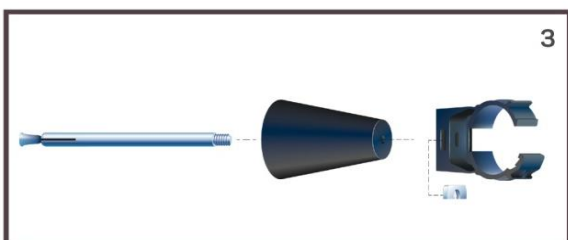
1  
Installation with wood screw and DELTA nylon plug.  
Surfaces: Masonry, Concrete



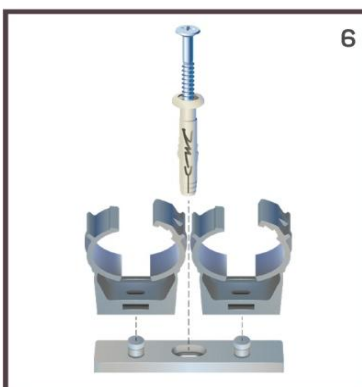
2  
Installation with CLIC spacer, round-head wood screw with pressed-on washer and DELTA nylon plug.  
Surfaces: Masonry, Concrete



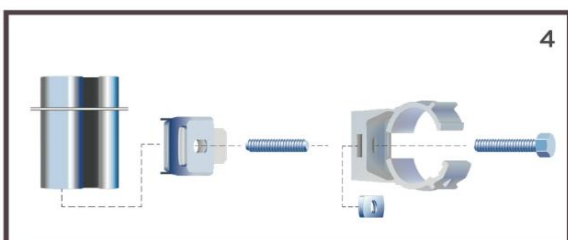
5  
Installation with CLIC hammer on spring steel clamp, CLIC flange and a threaded stud M6  
Surface: Steel beam



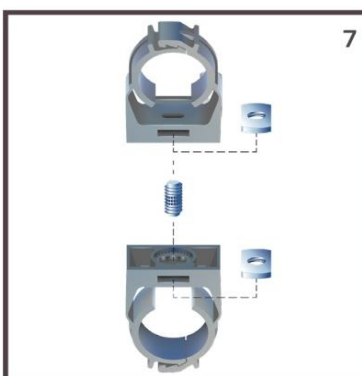
3  
Installation with CLIC round spacer, TILCA fire-resisting anchor M6 and CLIC flange. Stainless steel 1.4529 on demand.  
Surface: Concrete



6  
Installation of two CLIC onto base plate fixed with TILCA nail-in plug.  
Surfaces: Masonry, Concrete



4  
Installation with CLIC SLICK strut nut M6, CLIC flange and a threaded stud M6.  
Surface: Strut 41×41 and 41×21mm



7  
Installation CLIC to CLIC with threaded stud and two CLIC flanges.

[www.clic-original.com](http://www.clic-original.com)

## References

### Proven reliability under toughest conditions

The CLIC System is in operation all over the world and is evidence for the well known Swiss quality. CLIC convinces wherever standard or special requirements emerge.

Characteristics such as non-corroding material, safety – also in case of fire – the ease and efficiency of installation more than satisfy the needs of professionals in the tunnelling business. Exposure to chemicals, UV radiation and weather ascendencies, as well as submersion in seawater will not harm your installation. CLIC covers special requirements in nuclear power plants, waste water facilities, shipbuilding or in the aircraft industries.

### High-speed tunnelling / Tunnelling

With a route length of 57 km, the Gotthard Base Tunnel in Switzerland is the world's longest rail tunnel. Multiple fastening solutions with our CLIC system are applied to keep pipes and cables in place.

Tens of thousands CLIC fastening points around the world guarantee safety and durability in more than 10,000 km of tunnels around the world in harshest environments.

MRT systems in Europe, Asia, USA, and Australia use the CLIC System to fasten leaky cables to ensure communications for passengers as well as in case of emergency for fire brigade, ambulance and police etc. Examples are Singapore, Hong Kong, Bangkok, Hanover, Vienna, Moscow, London, Los Angeles, Kuala Lumpur, Chengdu, Guangzhou-Foshan Metro etc.

### Leaky cable in road tunnels

There exists almost no harsher environment than in road tunnels. Exhaust fumes contain all kinds of aggressive chemicals, temperature ranges from over 60 degr. C, water, fog, mist, dust and many more factors are found in this environment.

The long life span of the CLIC system has been proven in this kind of environment: at a renovation of the Schöneich road tunnel (Switzerland) the cables had to be replaced by new ones with better electrical characteristics. After more than 25 years of exposure only 30% of the CLIC needed to be replaced.

### Corrosion-resistant and fire-proof

Stainless steel, seawater and electrical conductivity are known as being far from best friends. Due to non-conductive and non-corroding properties, the CLIC System has been selected as one of the best solutions from various shipyards in Taiwan, France, Norway, and Korea to fasten the electrical cables on their ocean vessels.



## Plastic pipe clamps

For highest demands: the self locking pipe clamps CLIC TOP

Clamping range 8 to 127 mm (0.295" to 5")

### CLIC TOP

- The solution in a demanding environment.

**For indoor and outdoor applications**

**Applicable for dynamic loads**

**Material: high quality polyamide**

**UV-stabilized: 5 times better than PA6/PA66**

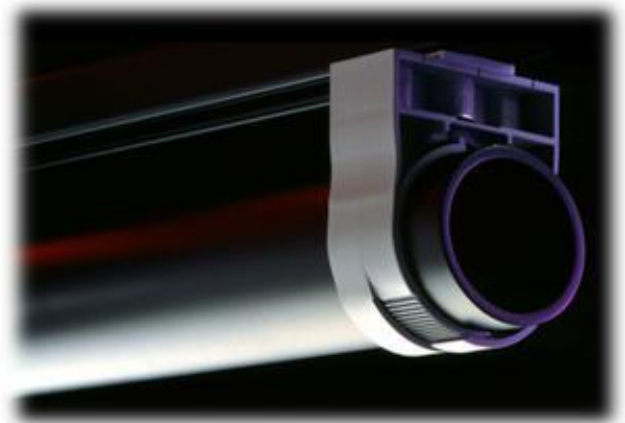
**Service temperature -40°C to +150 °C**

**Very low moisture absorption**

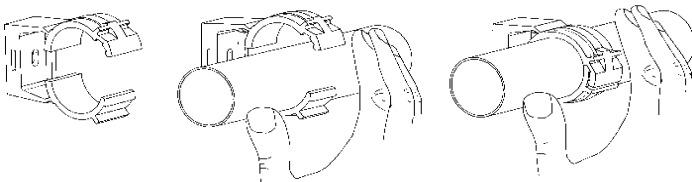
**High chemical resistance**

**Listed / approved by UL**

**Halogen free as per IEC-Standard 754-2**



### Easy to install



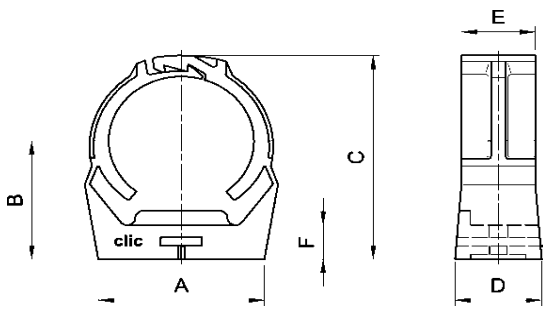
Simply mount CLIC, push pipe in by hand, grips and locks by applying slight pressure.



CLIC is a registered trade mark of Egli, Fischer & Co. Ltd

## CLIC TOP 8-64 mm (0.307" to 2.52")

### Technical information

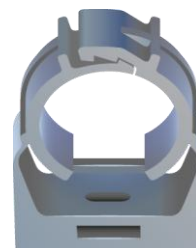


CLIC type	A mm	B mm	C mm	D mm	E mm	F mm	safe working load in all directions* N
8	17.1	17.5	26.4	17.1	14.5	7.5	170
10	17.1	17.5	26.2	17.1	14.5	7.5	185
12	20.2	19.5	28.3	17.2	14.5	7.5	200
15	20.6	20	32	17.1	14.5	7.5	220
17	22.5	22	35.4	19.5	16	7.8	235
20	24.8	23.7	39.4	20	16.3	7.8	250
22	27.8	25.5	42	20	16.5	7.8	270
25	30.4	26.8	45.1	20	17	8.8	300
28	33.4	28.8	48.9	20.2	17	8.8	320
32	38	32.2	54.4	21	17.5	9	370
36	41.8	34.3	59.4	21	18	9.1	400
40	46.2	36.3	64.2	21	18.6	9.4	440
47	53.5	40.6	72.8	22	19.5	9.8	470
51	58.6	44.3	78.7	23	20	10.2	500
59	66.3	48.6	88.2	23.2	21	10.7	540

\* With screw DIN 96 at + 20 °C, **safety factor > 2 included**

### CLIC TOP dark grey (RAL 7001), 8-64 mm

type	clamping range Ø mm	metric norm	pcs/ carton	Item no
8	7,8 - 9,5	8	100	A 88.900
10	9,5 - 11,8	10	100	A 88.901
12	11,8 - 14,3	12	100	A 88.902
15	14,3 - 16,8	16	100	A 88.903
17	16,8 - 19,5	-	100	A 88.904
20	19,5 - 21,8	20	100	A 88.905
22	21,8 - 24,8	-	100	A 88.906
25	24,8 - 27,8	25	50	A 88.907
28	27,8 - 31,2	-	50	A 88.908
32	31,2 - 35,5	32	50	A 88.909
36	35,5 - 39,5	-	50	A 88.910
40	39,5 - 43,5	40	25	A 88.911
47	46,5 - 50,5	50	25	A 88.912
51	50,5 - 55,5	-	25	A 88.913
59	58,5 - 64,0	63	20	A 88.914



Metric norm = Euro norm NIN 2000

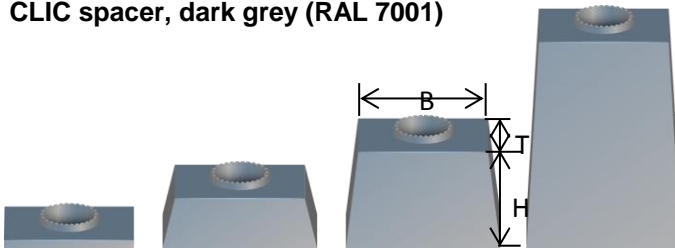
[www.clíc-original.com](http://www.clíc-original.com)

subject to change  
supersedes all previous  
published prices

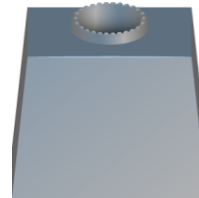
Vt 04/2018 (prices in €, ExW Naenikon CH Incoterms 2010)

page 7 of 52

### CLIC spacer, dark grey (RAL 7001)



size	dimension T x B x H mm	pcs/ carton	Item no
2,5	20x24x2,5	100	A 88.370
5	20x24x5	100	A 88.371
15	20x24x15	100	A 88.372
25	20x24x25	100	A 88.373
35	20x24x35	100	A 88.374
45	20x24x45	100	A 88.375
65	20x24x65	50	A 88.376
85	23x30x85	50	A 88.377



### CLIC base plate for 2 pcs

for CLIC type 8–25

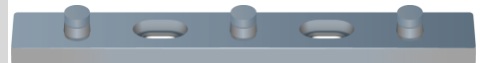
dimension length x depth x height mm	colour	pcs/ carton	Item no
70x20x5	dark grey	50	A 88.270



### CLIC base plate for 3 pcs

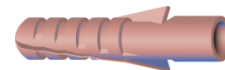
for CLIC type 8–25

dimension length x depth x height mm	colour	pcs/ carton	Item no
110x20x5	dark grey	25	A 88.271



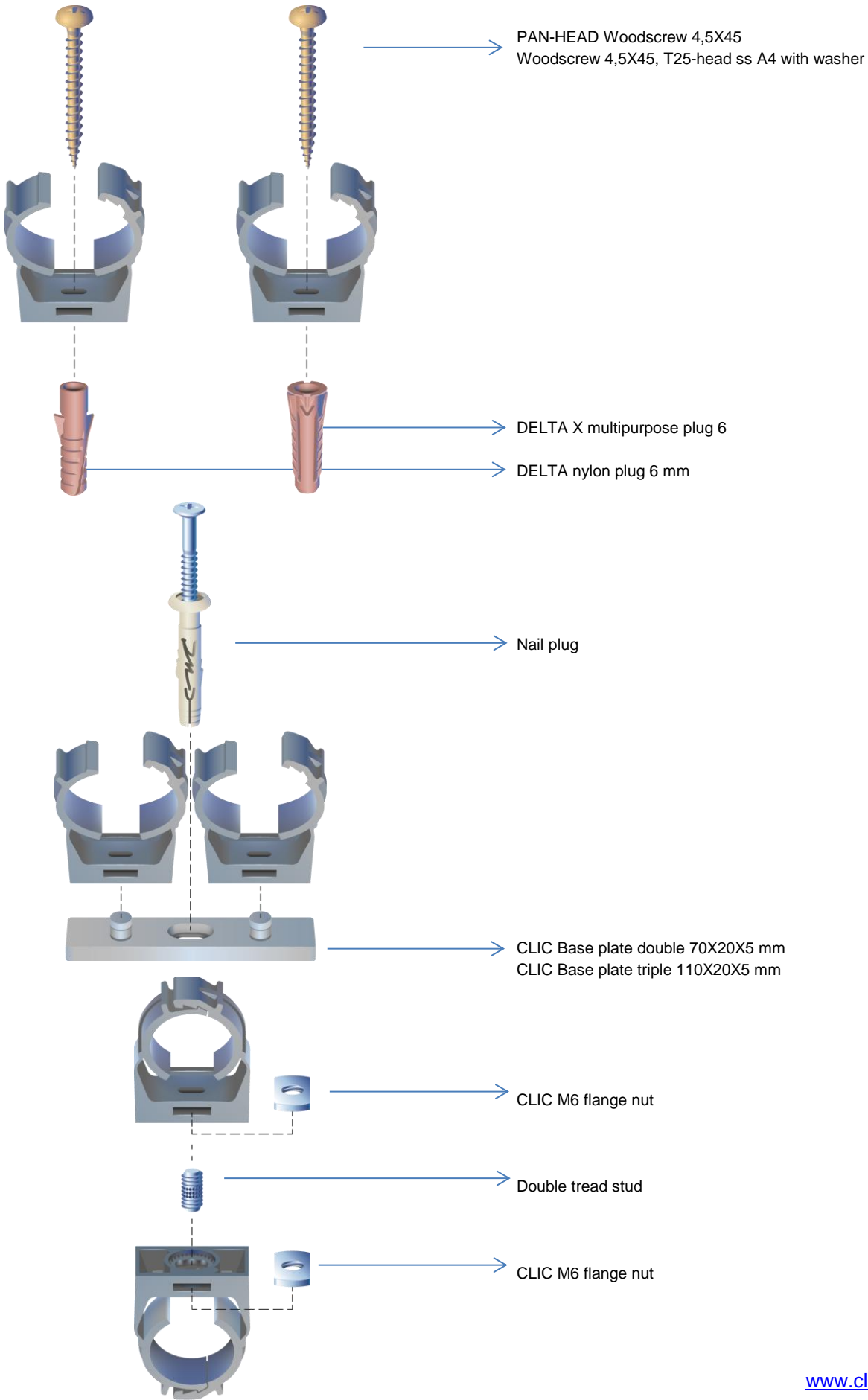
### DELTA nylon plug

size <sup>1</sup>	length of plug	for wood- screw Ø mm	pcs/ carton	Item no
6	29	3.5-5	1000	A 10.102
10	48	6-8	400	A 10.105



<sup>1</sup> Ø drill hole mm





## Pan-Head wood screw

with cross slot Z (pozidrive 2 impression), zinc plated yellow passivated

size <sup>1</sup> mm	pcs/ carton	Item no
4,5x45	200	A 63.324
4,5x50	200	A 63.325



<sup>1</sup> Ø x length mm

## Pan-Head wood screw stainless steel

with TX 20, stainless steel A4

size <sup>1</sup> mm	pcs/ carton	Item no
4,5x50	100	A 62.178
4,5x70	100	A 62.184
4,5x80	100	A 62.179
4,5x90	100	A 62.180
4,5x110	100	A 62.181
4,5x125	100	A 62.185

<sup>1</sup> Ø x length mm





### CLIC flange M 6

for mounting CLIC range 8–59, zinc plated or stainless steel A4 (1.4404/AISI 316)

description	pcs/ carton	Item no
CLIC M6 flange nut zinc plated	100	A 88.130
CLIC M6 flange nut ss A4	100	A 88.240



### TILCA flush anchor

zinc plated (zp) or stainless steel A4 (ss) (1.4401/AISI 316)  
with DIBt-approval

size <sup>1</sup> mm	drilling hole Øxd mm	thread length in mm	qual.	pcs/ carton	Item no
M6x30	8 x 33	13	zp	100	A 42.100
M6x30	8 x 33	13	ss	100	A 42.105
M8x30	10 x 33	13	zp	100	A 42.101



<sup>1</sup> female thread x length of plug mm

## Double-thread stud M6 and M 8

zinc plated or stainless steel A4 (1.4404/AISI 316)

size <sup>1</sup> mm	qual.	pcs/ carton	Item no
M6/M6x12	zp	100	B 16.111
M6/M6x12	ss	100	B 16.115

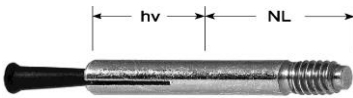


<sup>1</sup> thread x length mm

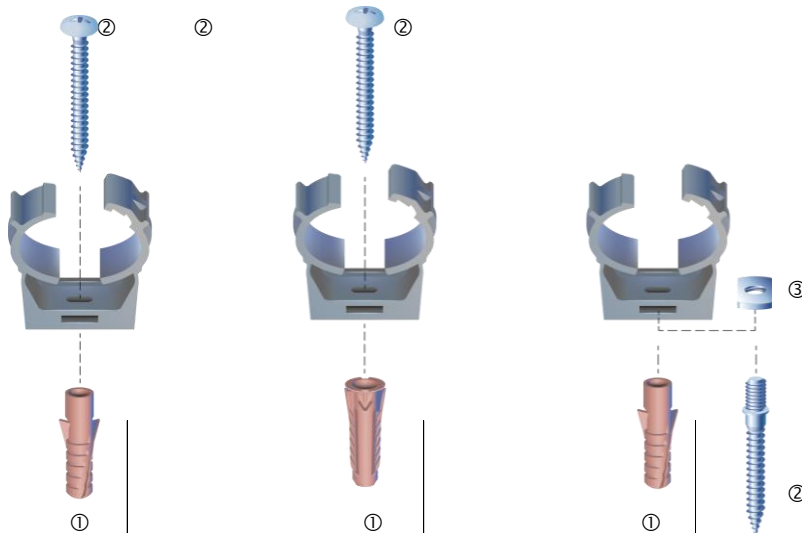
## TILCA Fire-resisting anchor

zinc plated or stainless steel (1.4401/AISI 316)

size <sup>1</sup> mm	thread length mm	drill Øxmin. depth mm	qual.	pcs/ carton	Item no
6/54	12	6 x 32	zp	100	A 45.807



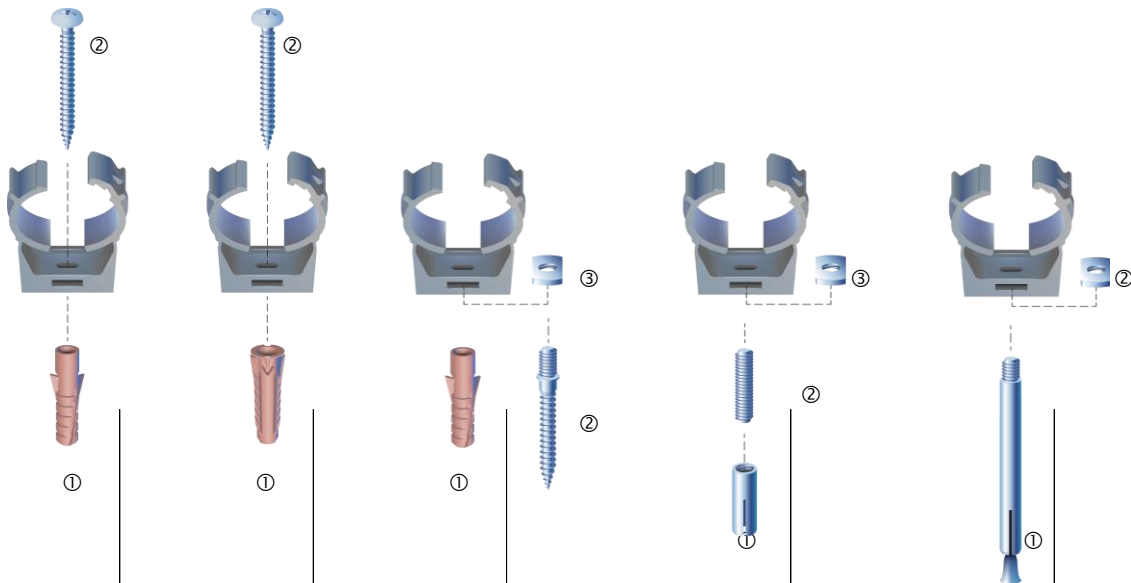
## Mounting systems for brick



	Item no	Item no	Item no
①	A 10.102	A 10.402	A 10.102
②	A 63.324	A 63.324	A 63.100
③	-	-	A 88.130
①	A 10.102	A 10.202	-
②	A 62.170	A 62.170	-
③	-	-	-

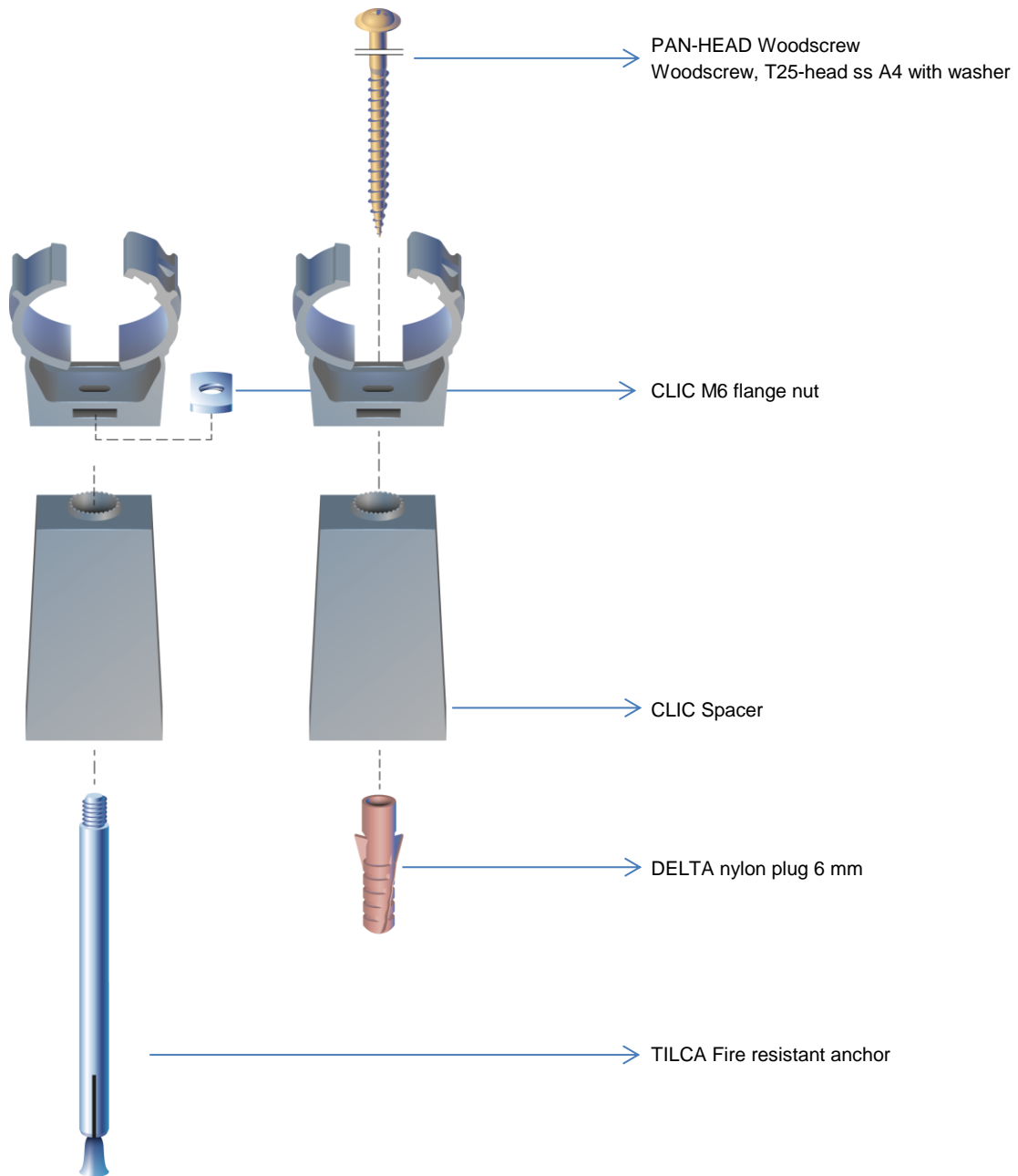
[www.clic-original.com](http://www.clic-original.com)

### Mounting systems for concrete



Item no		Item no		Item no		Item no		Item no	
①	A 10.102	A 10.402	A 10.102	A 42.100	A 45.850	-	-	-	-
②	A 63.324	A 63.324	A 63.100	B 16.111	A 88.130	-	-	-	-
③	-	-	A 88.130	A 88.130	-	-	-	-	-
①	A 10.102	A 10.202	-	A 42.105	on req.	-	-	-	-
②	A 62.170	A 62.170	-	B 16.115	A 88.240	-	-	-	-
③	-	-	-	A 88.240	-	-	-	-	-





## Radiating cable dimensions

radiating cable	outer Ø mm	CLIC type	clamping range Ø mm	CLIC SKH type	clamping range Ø mm
3/8"	10.5	10	9,5 - 11,8		
1/2"	13.2	12	11,8 - 14,3		
1/2"	15.9	15	14,3 - 16,8	1/2"	13.7 - 16.2
5/8"	22	22	21,8 - 24,8		
7/8"	28.5	28	27,8 - 31,2	7/8"	26.5 - 28.7
1 1/4"	39.4	36	35,5 - 39,5	1 1/4"	37.0 - 39.0
1 5/8"	50	47	46,5 - 50,5	1 5/8"	44.2 - 48.0



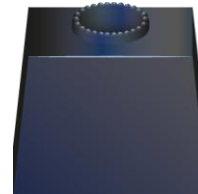
## CLIC TOP black (RAL 9011), 14-50 mm

type	clamping range Ø mm	metric norm	pcs/ carton	Item no
15	14.3 - 16.8	16	100	A 88.960
17	16.8 - 19.5	-	100	A 88.961
20	19.5 - 21.8	20	100	A 88.962
25	24.8 - 27.8	25	50	A 88.964
28	27.8 - 31.2	-	50	A 88.965
36	35.5 - 39.5	-	50	A 88.966
47	46.5 - 50.5	50	25	A 88.967



## CLIC spacer, black (RAL 9011)

size	dimension T x B x H mm	pcs/ carton	Item no
15	20x30x15	100	A 88.278
25	20x30x25	100	A 88.279
35	20x24x35	100	A 88.268
45	20x30x45	100	A 88.774
65	20x30x65	50	A 88.775
85	23x30x85	50	A 88.269



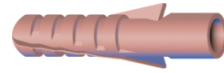
## CLIC spacer round, black (RAL 9011)

size	dimension length mm	pcs/ carton	Item no
50	50	100	A 88.274
80	80	350	A 88.287



## DELTA nylon plug

size <sup>1</sup>	length of plug	for wood-screw Ø mm	pcs/carton	Item no
6	29	3.5-5	1000	A 10.102



## Round-head wood screw

head T 25 with pressed-on washer, stainless steel A4 (1.4578/AISI 316)

size <sup>1</sup> mm	thickn. fastened max. mm by mounting with DELTA 6	pcs/carton	Item no
4.5x40	6	100	A 62.182
4.5x50	16	100	A 62.178
4.5x70	36	100	A 62.184
4.5x80	46	100	A 62.179
4.5x90	56	100	A 62.180
4.5x110	76	100	A 62.181
4.5x125	91	100	A 62.185
4.5x135	101	100	A 62.186



## CLIC flange M 6

for mounting CLIC range 8–59, zinc plated or stainless steel A4 (1.4404/AISI 316)

description	pcs/carton	Item no
CLIC M6 flange nut zinc plated	100	A 88.130
CLIC M6 flange nut ss A4	100	A 88.240



## CLIC flange M 8

for mounting CLIC range 32–59, zinc plated or stainless steel A4 (1.4404/AISI 316)

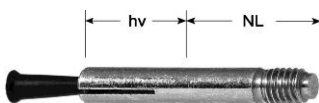
description	pcs/carton	Item no
CLIC M8 flange nut zinc plated	100	A 88.285
CLIC M8 flange nut ss A4	100	A 88.286



## TILCA Fire-resisting anchor

zinc plated or stainless steel (1.4401/AISI 316)

size <sup>1</sup> mm	thread length mm	drill Øxmin. depth mm	qual.	pcs/carton	Item no
6/54	12	6 x 32	zp	100	A 45.807
6/90	12	6 x 32	zp	100	A 45.810
6/54	12	6 x 32	ss	100	A 45.827
6/90	12	6 x 32	ss	100	A 45.830
6x102/50L	30	6 x 42	ss	100	A 45.896





**CLIC SKH black (RAL 9011), 14-50 mm**

CLIC SKH type	wall dist.	base mm	base thickness mm	breaking load in +Fy/+Fx directions , N
1/2"	80	66	10	300
7/8"	80	66	10	300
1 1/4"	80	66	10	300
1 5/8"	80	66	10	300

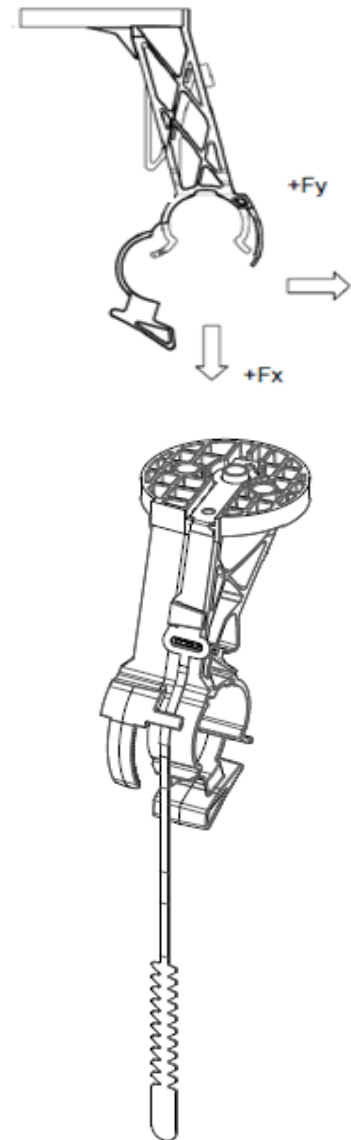
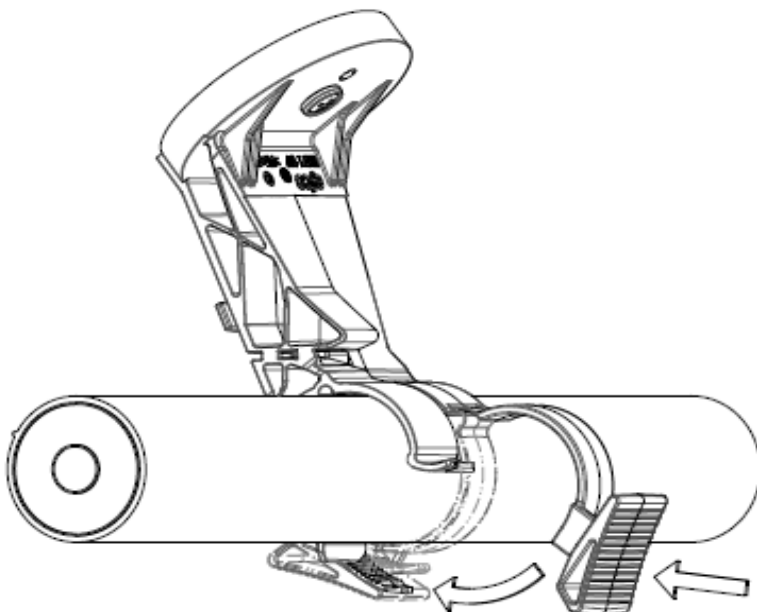
**EFCO CLIC SKH black (RAL 9011)**

type	clamping range Ø mm	pcs/ carton	Item no
1/2"	13.7 - 16.2	150	A 88.470
7/8"	26.5 - 28.7	150	A 88.471
1 1/4"	37.0 - 39.0	150	A 88.472
1 5/8"	44.2 - 48.0	150	A 88.473

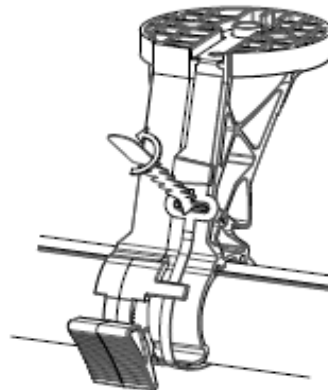
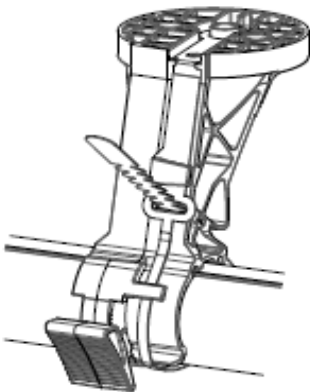
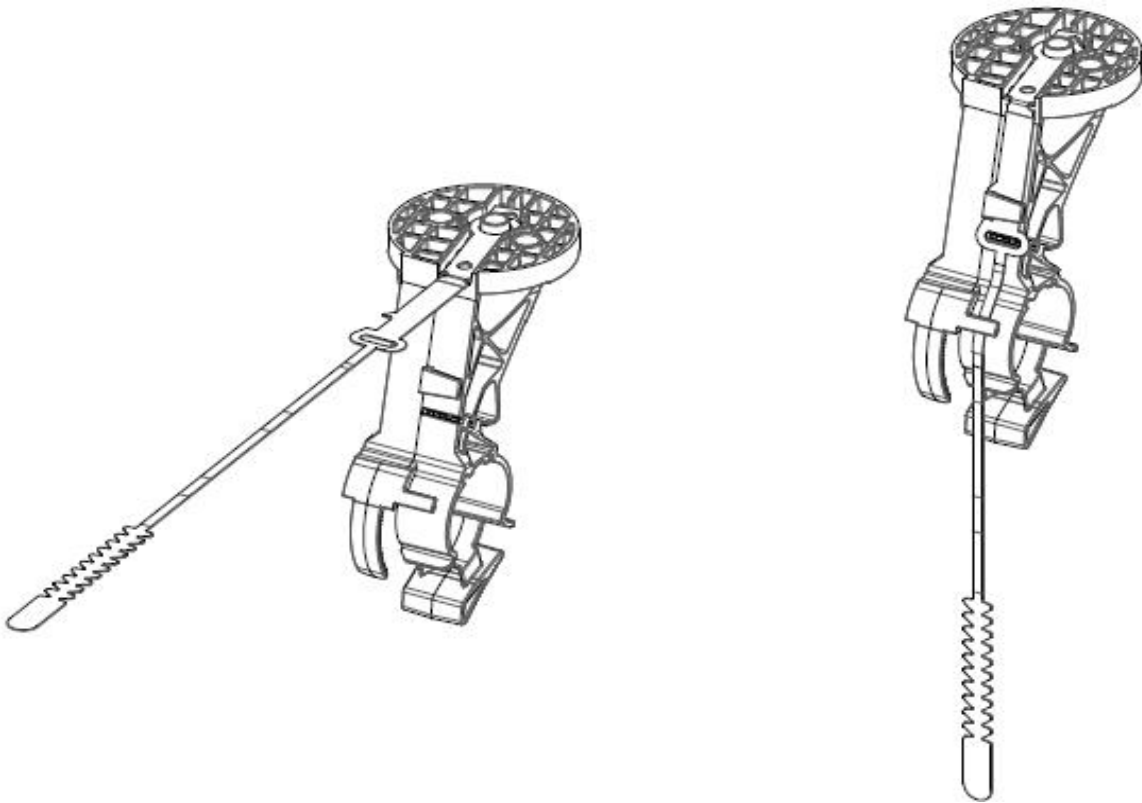
**EFCO CLIC fire protection insert (1.4401)**

type	insert to Item	size	pcs/ carton	Item no
EFCO CLIC FSB 12	A 88.470	1/2"	50	A 88.480
EFCO CLIC FSB 78	A 88.471	7/8"	50	A 88.481
EFCO CLIC FSB 114	A 88.472	1 1/4"	50	A 88.482
EFCO CLIC FSB 158	A 88.473	1 5/8"	50	A 88.483

**Mounting principle**

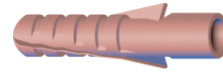


## Mounting principle with fire protection insert



## DELTA nylon plug

size <sup>1</sup>	length of plug	for wood- screw Ø mm	pcs/ carton	Item no
6	29	3.5-5	1000	A 10.102



## Round-head wood screw

head T 25 with pressed-on washer, stainless steel A4  
(1.4578/AISI 316)

size <sup>1</sup> mm	thickn. fastened max. mm by mounting with DELTA 6	pcs/ carton	Item no
4.5x40	6	100	A 62.182



## TILCA flush anchor

stainless steel A4 (ss) (1.4401/AISI 316)

type	drilling hole Øxd mm	pcs/ carton	Item no
TILCA nail plug	6x40/15	200	A 44.144
TILCA nail anchor ss A4	N6-5/49	200	A 44.961
TILCA nail anchor HCR	N6-5/49 HCR	200	A 44.962



## TILCA KDM Fire-resisting anchor

zinc plated or stainless steel (1.4401/AISI 316)

size <sup>1</sup> mm	drill Øxmin. depth mm	qual.	pcs/ carton	Item no
TILCA anchor zp	42		100	A 45.904
TILCA anchor ss A4 K6 L	42		100	A 45.905



## TILCA drill bit

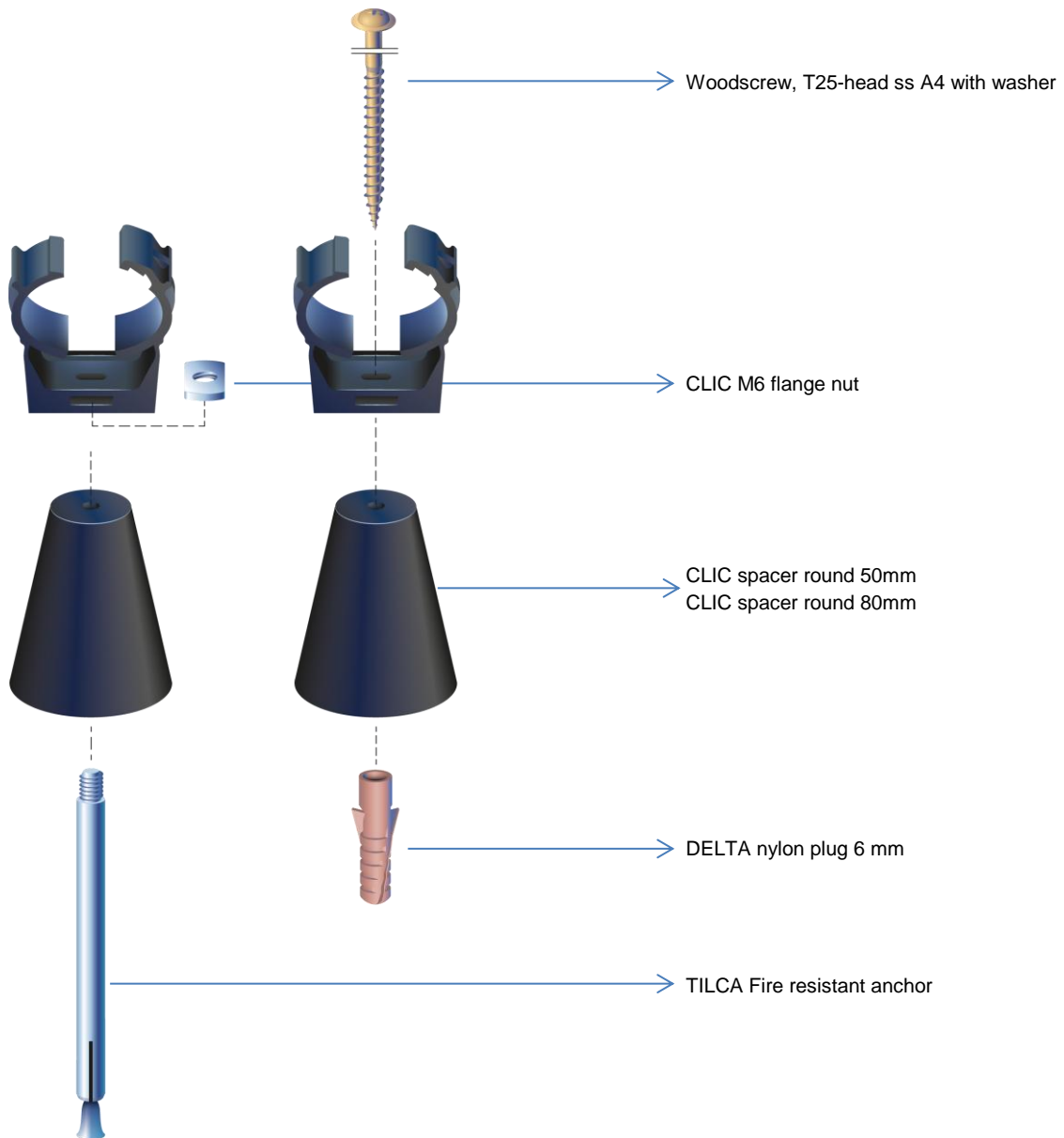
drill	Øxd mm	shaft	dept mm	Item no
SDS Drill bit 42mm depth	6	SDS plus	42	A 45.862



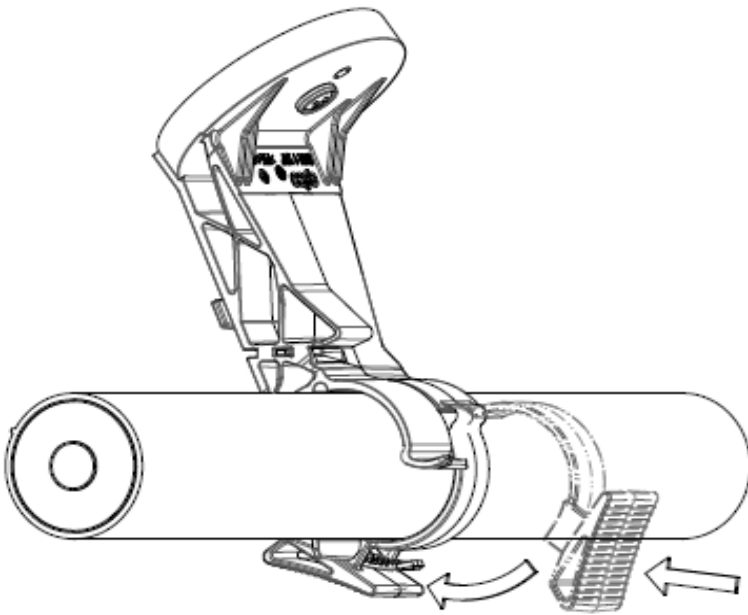
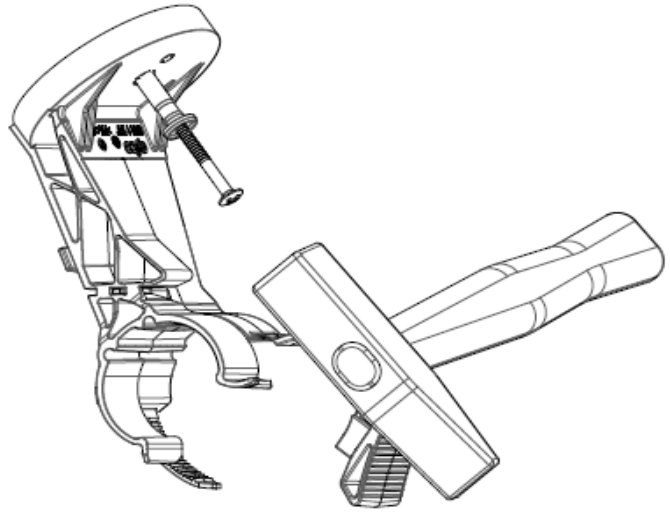
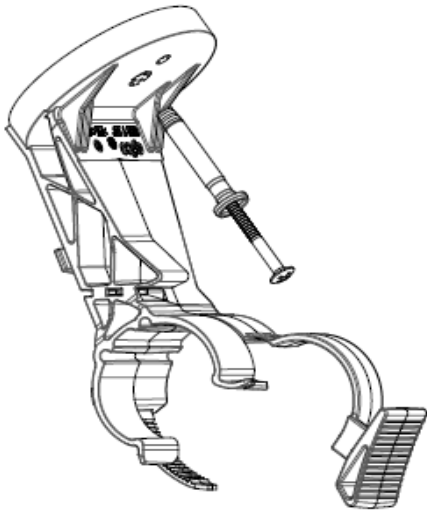
## TILCA setting tool

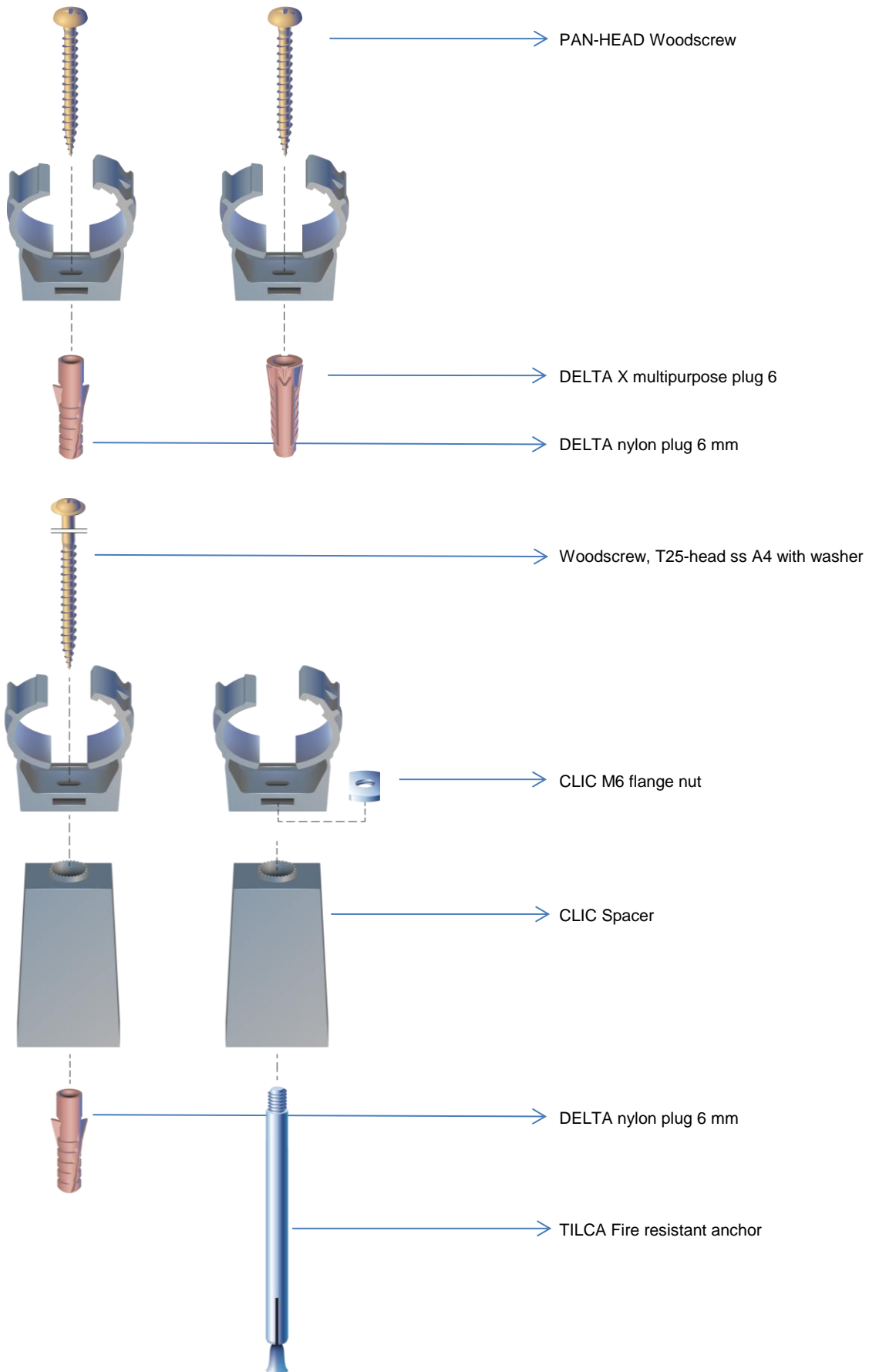
type	Item no
Setting tool SWM-SM 16	A 45.872





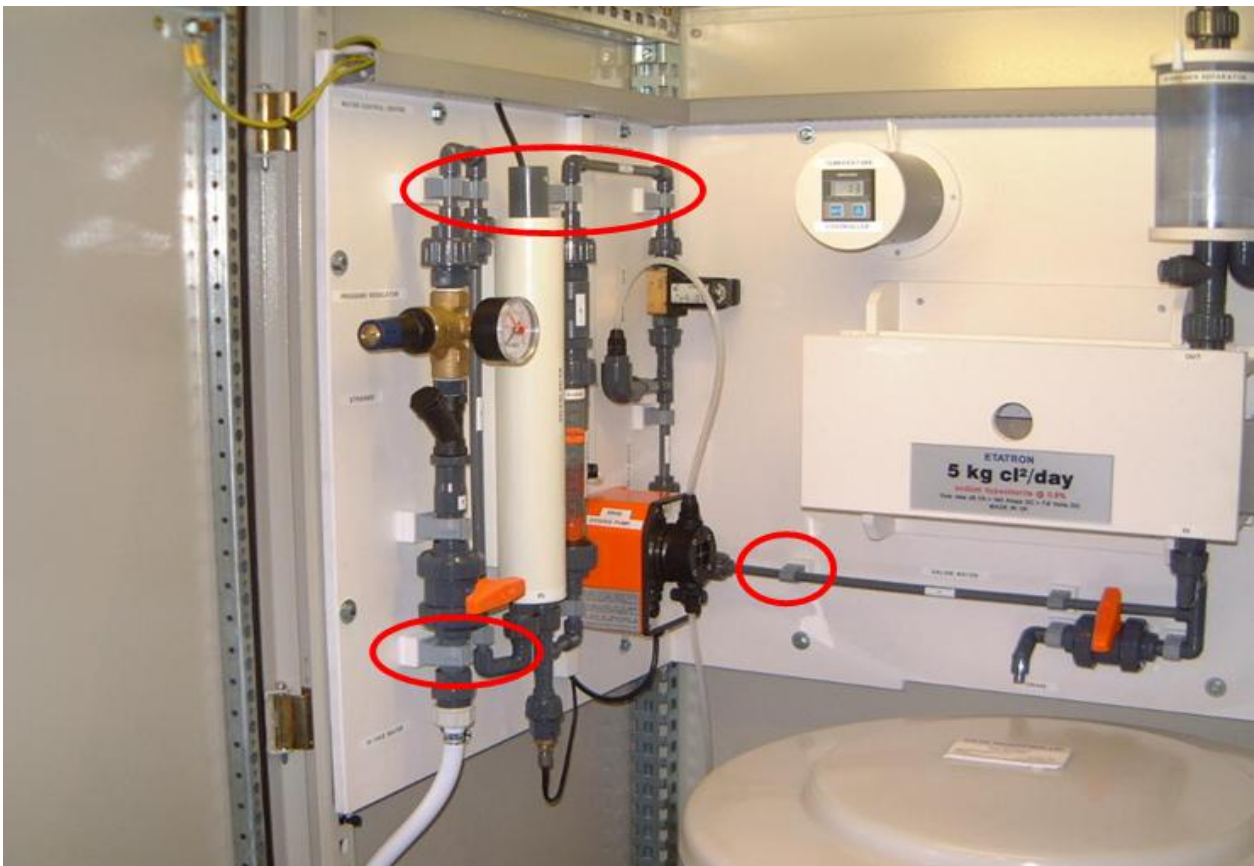
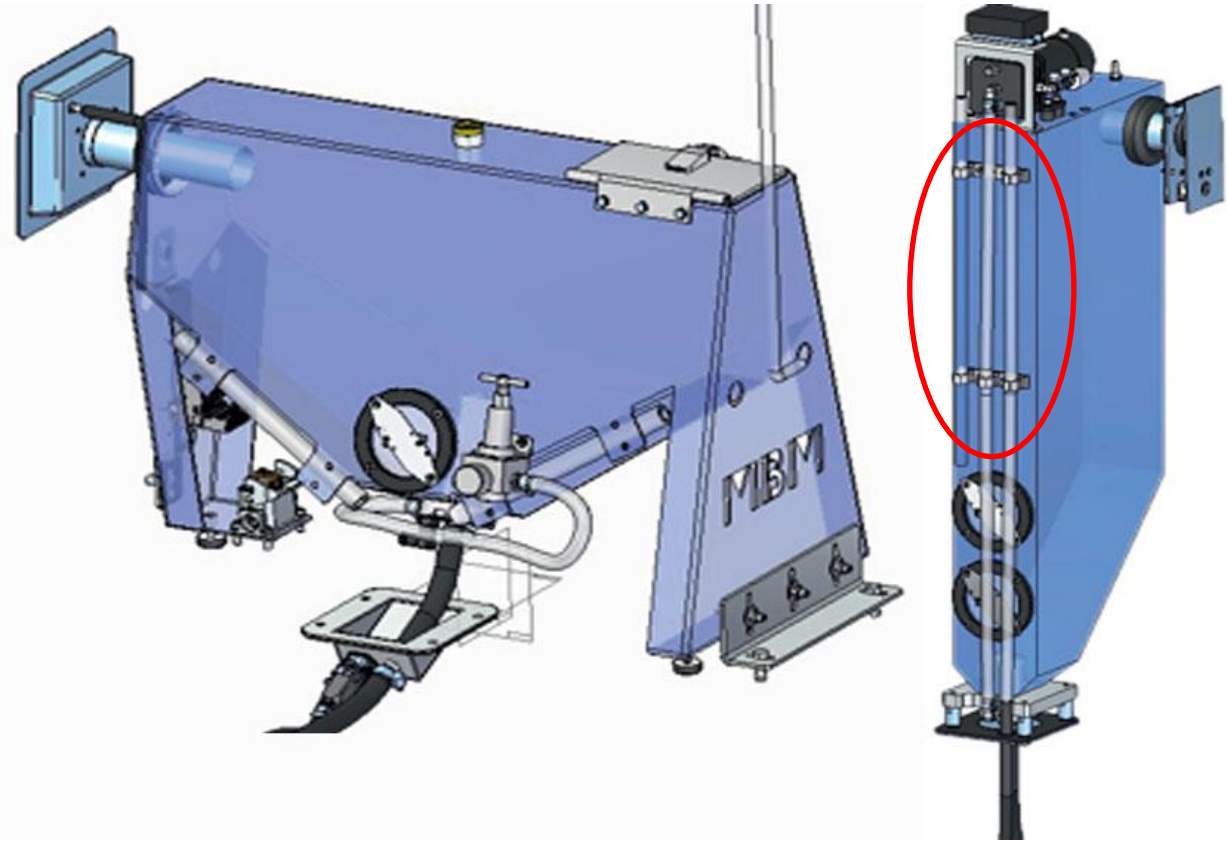
[www.clic-original.com](http://www.clic-original.com)







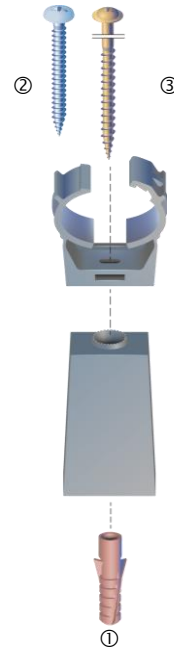
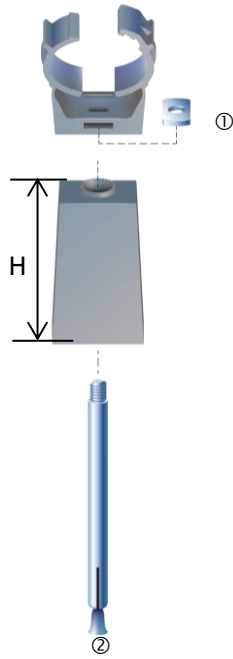
[www.clic-original.com](http://www.clic-original.com)



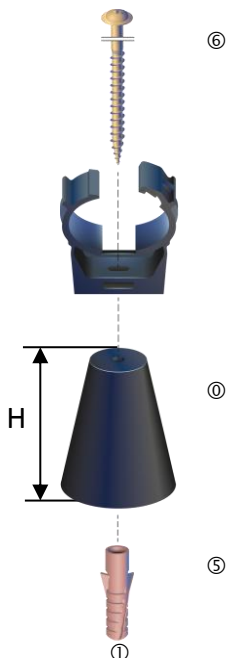
[www.clic-original.com](http://www.clic-original.com)



## Mounting systems with spacers



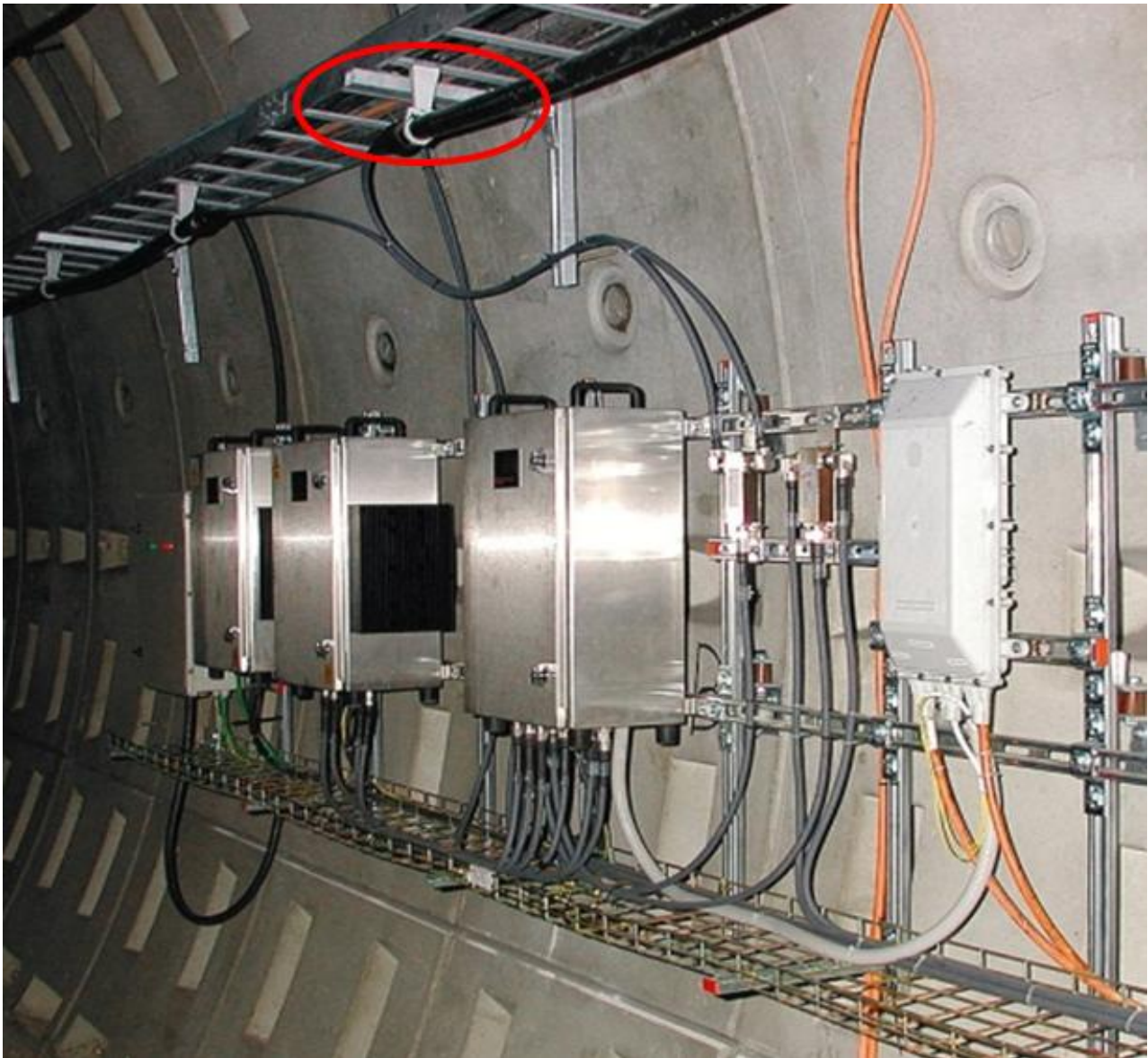
H	① Item no	② on req	① Item no	② on req	① Item no	② Item no	② A2 Item no	③ A4 Item no
2,5	A 88.130	on req	A 88.240	on req	A 10.102	A 63.324	A 63.107	A 62.170
5	A 88.130	on req	A 88.240	on req	A 10.102	A 63.325	A 63.107	A 62.178
15	A 88.130	on req	A 88.240	on req	A 10.102	on req	A 63.108	A 62.183
25	A 88.130	on req	A 88.240	on req	A 10.102	on req	A 63.109	A 62.184
35	A 88.130	on req	A 88.240	on req	A 10.102	on req	on req	A 62.179
45	A 88.130	on req	A 88.240	on req	A 10.102	on req	on req	A 62.180
65	A 88.130	on req	A 88.240	on req	A 10.102	on req	on req	A 62.181
85	A 88.130	on req	A 88.240	on req	A 10.102	on req	on req	A 62.185



H	④ Item no	① Item no	② Item no	⑤ Item no	① Item no	② Item no	⑥ Item no
50	A 88.274	A 88.130	on req	A 10.102	A 88.240	on req	A 62.180
80	A 88.275	A 88.130	on req	A 10.102	A 88.240	on req	A 62.185

stainless steel

[www.clic-original.com](http://www.clic-original.com)



## CLIC TOP white (RAL 9010), 10-50 mm

type	clamping range Ø mm	metric norm	pcs/ carton	price € 100 pcs	Item no
10	9,5 - 11,5	10	100	on requ.	A 88.450
12	11,8 - 14,3	12	100	on requ.	A 88.451
15	14,3 - 16,8	16	100	on requ.	A 88.452
17	16,8 - 19,5	-	100	on requ.	A 88.453
20	19,5 - 21,8	20	100	on requ.	A 88.454
22	21,8 - 24,8	32	100	on requ.	A 88.457
25	24,8 - 27,8	-	50	on requ.	A 88.459
28	27,8 - 31,2	-	50	on requ.	A 88.458
32	31,2 - 35,5	25	50	on requ.	A 88.455
40	39,5 - 43,5	25	25	on requ.	A 88.456
47	46,5 - 50,5	50	25	on requ.	A 88.460

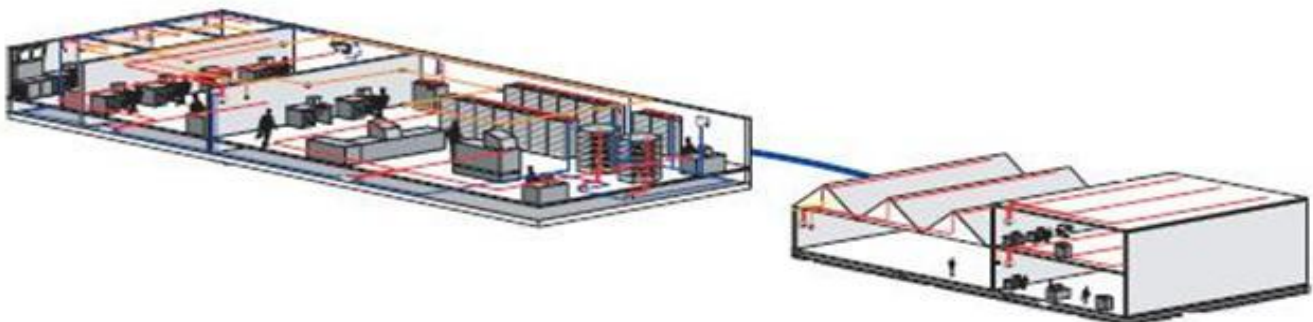


Metric norm = Euro norm NIN 2000



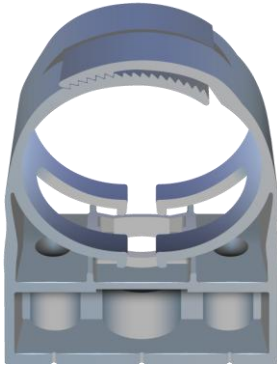
## CLIC TOP red (RAL 3020), 25-31 mm

type	clamping range Ø mm	metric norm	pcs/ carton	Item no
28	27,8 - 31,2	-	150	A 88.641



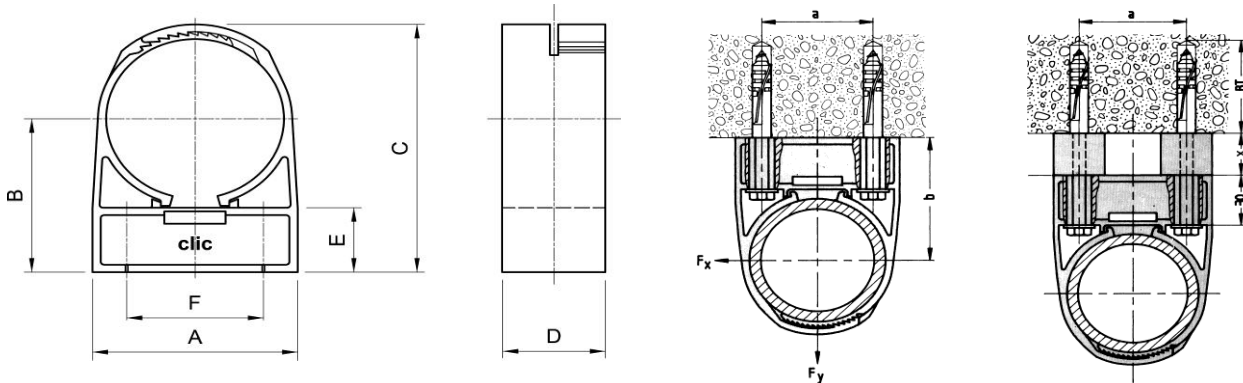
[www.clic-original.com](http://www.clic-original.com)

## CLIC TOP 63-127 mm



Easy and excellent fixing for pipes with diameter  
63 to 127 mm  
Ideal for infrastructural & industrial buildings  
Listed / approved by UL  
Secure against vibration

### Technical information



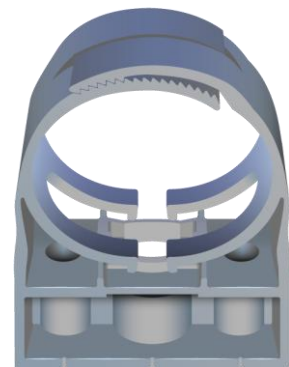
type	A mm	B mm	C mm	D mm	E mm	F mm	safe working load	
							$F_y$ N	$F_x$ N
63	78	72	115	40	31	52	600	340
71	87	77	124	40	31	58	740	440
80	98	83	136	40	31	66	880	540
90	110	89	148	40	31	76	1000	640
101	124	96	163	40	31	86	1200	740
113	139	105	180	40	31	102	1350	840

with screw DIN 571 at + 20 °C, safety factor ~ 3 included

\* Load directions as per above

### CLIC Top dark grey (RAL 7001), 63-127 mm

type	clamping range Ø mm	pcs/ carton	Item no
63	63 - 71	25	A 88.340
71	71 - 80	40	A 88.341
80	80 - 90	40	A 88.342
90	90 - 101	25	A 88.343
101	101 - 113	25	A 88.344
113	113 - 127	25	A 88.345

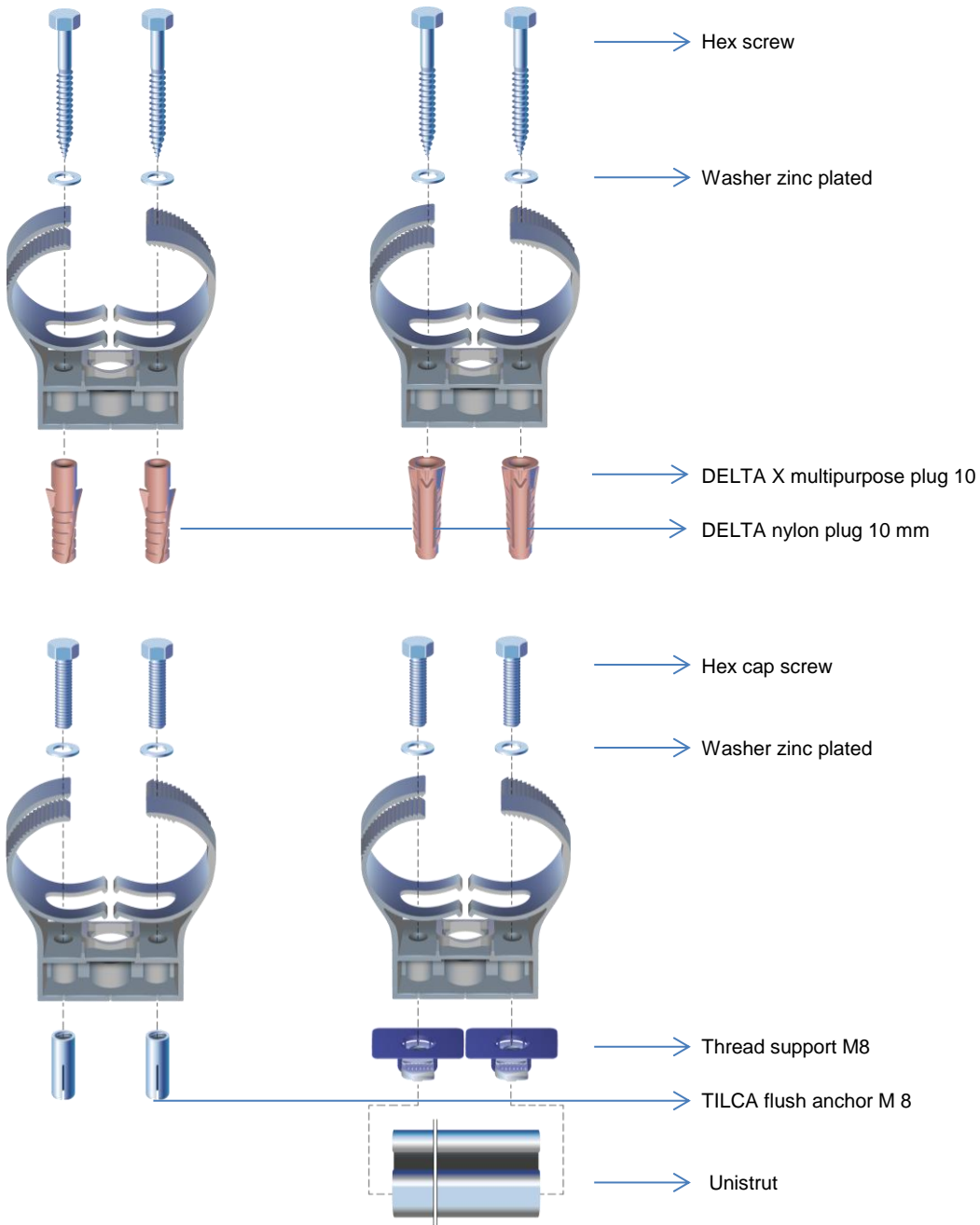
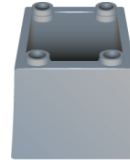


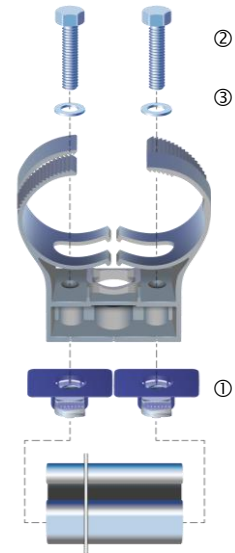
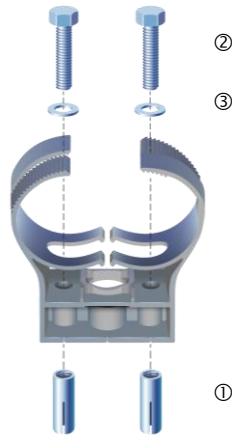
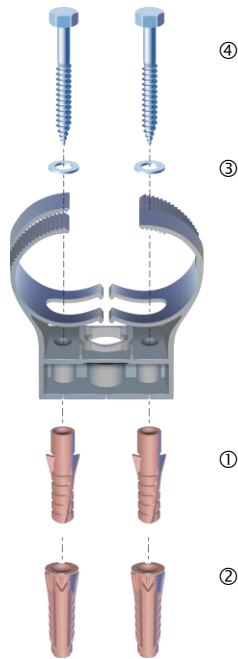
[www.clic-original.com](http://www.clic-original.com)

# CLIC spacers dark grey (RAL 7001)

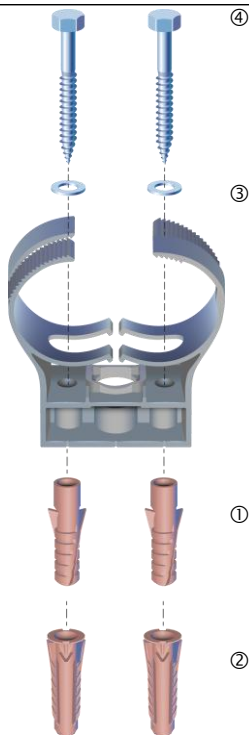
Polyamide

size <sup>1</sup>	dimension l x w x h mm	pcs/ carton	Item no
5	40x30x5	100	A 88.350
10	40x30x10	100	A 88.352
30	40x30x30	100	A 88.356





	Item no	Item no	Item no	Item no
①	A 10.105		A 42.101	A 85.236
②	A 10.205		A 64.142	A 64.143
③	A 64.259	A 64.259	A 66.106	A 66.106
④	A 66.106	A 66.106		
①			A 42.106	
②			on req	
③			A 66.116	



	Item no	Item no
①	A 10.105	
②	A 10.205	
③	A 64.259	A 64.259
④	A 66.106	A 66.106

stainless steel

[www.clic-original.com](http://www.clic-original.com)

## Technical data sheet

### clic® top 8 - 127 mm

#### Application areas

Outdoor installation  
Chemical industry in harsh environment  
Electrical installations in tunnels (cable/conduits)  
Sanitary installations of all kinds  
Swimming pools  
Switching cabinets

#### Features

Self-locking system without tools  
Clamping range 8 - 127 mm (0.31" to 5")  
Very high dynamic load  
Very low moisture absorption  
Chloride- and weather resistant  
Very high stress corrosion crack stability  
Approved by: KIWA® . UL®

#### Technical data clic® top 8 - 127 mm

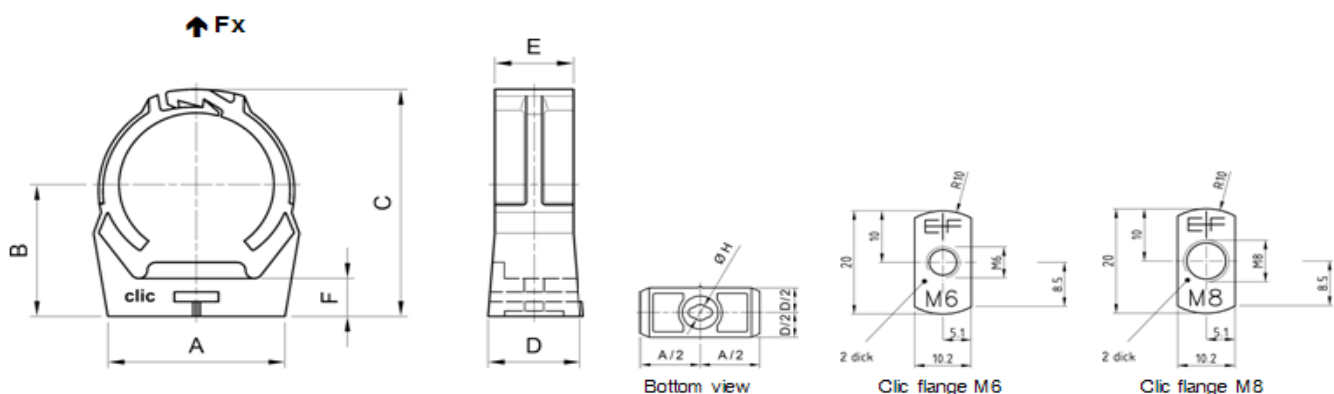
<b>Material quality</b>	Polyamide PA 12
<b>Density at +20 °C</b>	1,01 g/cm <sup>3</sup>
<b>Elongation at yield</b>	12%
<b>E-Modulus in tension</b>	1100 MPa
<b>Water absorption at 23 °C</b>	1,50 %
<b>Moisture absorption (23 °C / 50 % r.F.)</b>	0,50 %
<b>Shore hardness D</b>	70
<b>Disruptive strength</b>	32 kV/mm
<b>Weather proof</b>	-40 °C up to +110 °C
<b>Mounting temperature</b>	down to -25 °C
<b>Maximum service temperature short term</b>	+150 °C
<b>Maximum service temperature long term</b>	+90 to +110 °C
<b>Flammability</b>	HB according to UL 94
<b>Calorific / energy value</b>	34 kJ / gram
<b>Impact value (Charpy, +23 °C)</b>	7
<b>Impact value (Charpy, -30 °C)</b>	6
<b>Halogen</b>	halogen free as per IEC 754-2
<b>Petrol, diesel, oil</b>	resistant
<b>Corrosion</b>	resistant
<b>Chloride salt</b>	resistant
<b>UV</b>	resistant ISO 4892-2
<b>Standard colours</b>	dark grey (RAL 7001)
<b>Special colours</b>	on request

[www.clic-original.com](http://www.clic-original.com)

**clíc® top type selection chart for od 8 - 64mm on pipes or cables**

clíc® top Type	Steel		Copper	Cast iron	PE	PVC	Cable-metric measur	Coaxial cable	Certifica			Breaking load [N]
	mm	inch	mm	mm	mm	mm	M	inch	Kiwa		UL	Fx**
8							8				✓	280
10			10				10		✓		✓	420
12	13,5	1/4"	12				12		✓		✓	420
15			15				16	1/2"	✓		✓	500
17	17,2	3/8"	18						✓		✓	650
20	21,3	1/2"				20	20	5/8"	✓		✓	700
22			22						✓		✓	750
25	26,9	3/4"				25	25		✓		✓	850
28			28					7/8"	✓		✓	900
32	33,7	1"	35		32	32	32		✓		✓	1000
36								1 1/4"	✓		✓	1100
40	42,4	1 1/4"	42		40		40		✓		✓	1150
47	48,3	1 1/2"		48	50	50	50	1 5/8"	✓		✓	1300
51			54						✓		✓	1400
59	60,3	2"	64				63				✓	1600

\*\* with screw DIN 96 at +20 °C, safety factor must be considered!



clíc® top Type	Clamping range [mm]		A [mm]	B [mm]	C [mm]	D [mm]	E [mm]	F [mm]	H*		
	min.	max.							wood [mm]		metric
8	7,8	9,5	17,1	17,5	26,4	17,1	14,5	7,5	4,5		M6
10	9,5	11,8	17,1	17,5	26,2	17,1	14,5	7,5	4,5		M6
12	11,8	14,3	20,2	19,5	28,3	17,2	14,5	7,5	4,5		M6
15	14,3	16,8	20,6	18,8	32,0	17,1	14,5	7,5	4,5		M6
17	16,8	19,5	22,5	23,7	35,4	19,5	16,0	7,8	4,5		M6
20	19,5	21,8	24,8	24,9	39,4	20,0	16,3	7,8	4,5		M6
22	21,8	24,8	27,8	26,0	42,0	20,0	16,5	7,8	4,5		M6
25	24,8	27,8	30,4	28,0	45,1	20,0	17,0	8,8	4,5		M6
28	27,8	31,2	33,4	31,7	48,9	20,2	17,0	8,8	4,5		M6
32	31,2	35,5	38,0	34,5	54,4	21,0	17,5	9,0	4,5		M6 / M8
36	35,5	39,5	41,8	36,5	59,4	21,0	18,0	9,1	4,5		M6 / M8
40	39,5	43,5	46,2	38,2	64,2	21,0	18,6	9,4	4,5		M6 / M8
47	46,5	50,5	53,5	43,0	72,8	22,0	19,5	9,8	4,5		M6 / M8
51	50,5	55,5	58,6	46,8	78,7	23,0	20,0	10,2	4,5		M6 / M8
59	58,5	64,0	66,3	52,0	88,2	23,2	21,0	10,7	4,5		M6 / M8

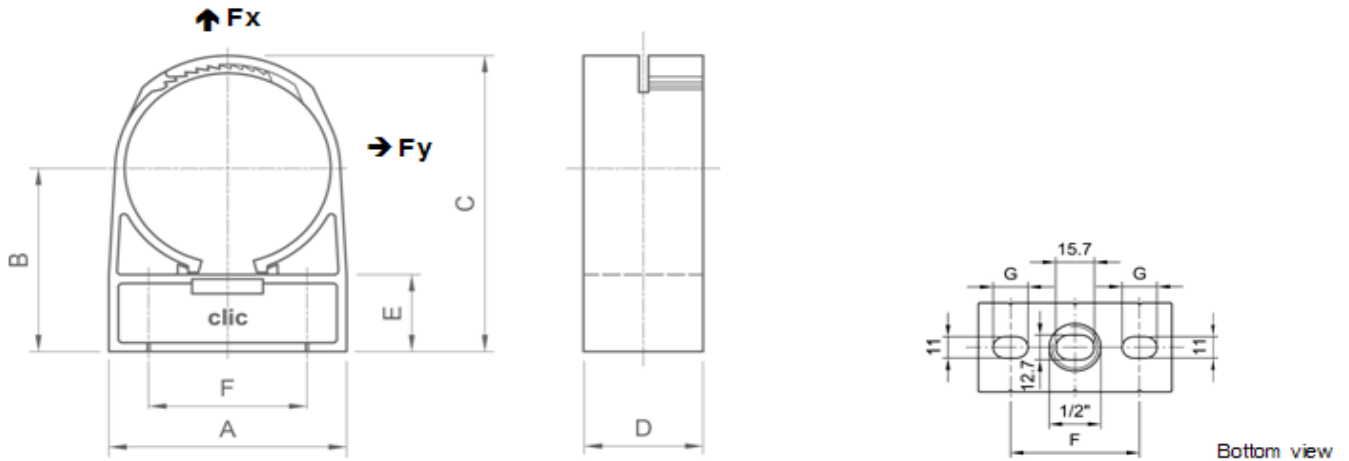
\* H = screw diameter; wood screw (wood) / metal screw (metric)



**clíc® top type selection chart for od 63 - 127mm on pipes or cables**

clíc® Type	Steel		Copper	Cast iron	PE	PVC	Cable ducts	Coaxial cable	Certification			Breaking load [N]	
	mm	inch	mm	mm	mm	mm		inch	Kiwa		UL	Fx*	Fy*
63					63		63		✓		✓	1800	1000
71	76,1	2 ½"	76	78	75	75			✓		✓	2200	1300
80	88,9	3"	89						✓		✓	2600	1600
90					90				✓		✓	3000	1900
101			108	110	110	110			✓		✓	3500	2200
113	114,3	4"	114		125	125			✓		✓	4000	2500

\* with 2 screws DIN 571 at +20 °C, safety factor must be considered!



Type	Clamping range		A	B	C	D	E	F	G
	min.	max.	[mm]	[mm]	[mm]	[mm]	[mm]	[mm]	[mm]
63	63	71	78	72	115	40	31	52	11
71	71	80	87	77	124	40	31	58	15
80	80	90	98	83	136	40	31	66	16
90	90	101	110	89	148	40	31	76	16
101	101	113	124	96	163	40	31	86	17
113	113	127	139	105	180	40	31	102	17

Material	Concentration	Resistance at +23 °C	Material	Concentration	Resistance at +23 °C
Acetic acid		●●	Milk		●●●
Acetone		●●●	Mineral oil		●●●
Acetylene		●●●	Naphthaline		●●●
Aluminium salts	aqueous	●●●	Nitric acid		○
Ammonia	aqueous	●●●	Nitrobenzene		●●
Amylacetate		●●	Oils		●●●
Aniline		●●●	Oleic acid		●●●
Antifreeze		●●●	Oleum		○
Benzene		●●●	Oxalic acid		●●●
Benzine		●●●	Oxygen		●●●
Benzyl alcohol		●	Ozone		●
Bromine		●	Paraffin oil		●●●
Butane		●●●	Perchlorethylene		●●●
Butanol		●●●	Petroleum		●●●
Carbon tetrachloride		●●	Petroleum ether		●●●
Caustic potash	10%	●●●	Phenol		●
Caustic potash	50%	●●●	Potash		●●●
Chlorobenzene		●	Propane		●●●
Chlorine		○	Pyridine		●●●
Chloroform		●	Salicylic acid		●●●
Citric acid		●●	Sea water		●●●
Copper sulphate		●●●	Silicon oils		●●●
Cresol		○	Soap suds		●●●
Decalin		●●●	Soda	10%	●●●
Eatible fat		●●●	Soda	50%	●●●
Engine oil		●●●	Sodium chloride	saturated	●●●
Ethanol		●●●	Sodium hydroxide	10%	●●●
Ether		●●●	Sodium hydroxide	50%	●●●
Ethyl acetate		●●●	Sodium silicate		●●●
Ethylene oxide		●●●	Sodium sulphate	concentrated	●●●
Fats		●●●	Starch		●●●
Fluorine gas		●	Stearic acid		●●●
Formaldehyde		●●	Stearin		●●●
Formic acid	concentrated	●	Styrene		●●●
Frigen	liquid F12	●●●	Sulphur dioxide		●●
Frigen	liquid F22	●	Sulphuric acid	10%	●●
Fuel		●●●	Sulphuric acid	concentrated	●
Glycerine		●●●	Table salt		●●●
Glycol		●●●	Tallow		●●●
Heating oil		●●●	Tartaric acid		●●●
Heptane		●●●	Tetralin		●●●
Hydraulic oil		●●●	Toluene		●●●
Hydrochloric acid	1%	●●	Transformer oil		●●●
Hydrochloric acid	10%	●	Trichlorethane		●●
Hydrogen peroxide	20%	●●	Trichlorethylene		●●
Hydrosulphide		●●●	Turpentine		●●●
Iodine tincture		○	Urea		●●●
Iso-octane		●●●	Uric acid		●●●
Isopropanol		●●●	Urine		●●●
Kaliumpermanganat		○	Vaseline		●●●
Kerosene		●●●	Vinegar		●●●
Lactic acid		●●	Water		●●●
Magnesium chloride	10%	●●●	Wax		●●●
Mercury		●●●	Xylene		●●●
Methane		●●●	Zinc chloride	aqueous	●●●
Methanol		●●			
Methylene chloride		●			

●●● resistant - ●● limited resistance - ● not resistant - ○ soluble, greatly affected

[www.clic-original.com](http://www.clic-original.com)

## Chemical resistance

In general, polyamide 12 is resistant to many organic solvents and alkalis. Grilamid is also unaffected by petroleum fractions, oils and fats.

Concentrated acids cause relatively rapid hydrolytic degradation of all polyamides but PA 12 is resistant to dilute mineral acid and most organic acids.

The hydrolysis and environmental stress-cracking resistance of Grilamid are the most significant advantages of Grilamid in comparison to other engineering plastics.

PA 12 has a distinctly higher hydrolysis resistance than PA6 and PA66. The matrix is less hydrophilic, absorbs less water, even at elevated temperatures and, therefore, is less affected by hydrolysis.

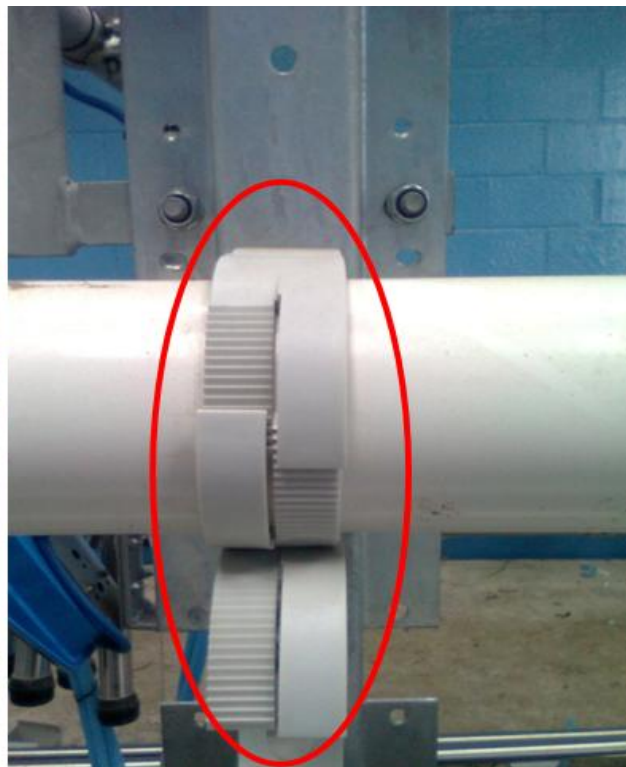
The recommendations and data given are based on our experience to date. No liability can be assumed in connection with their usage and processing.

## How to find the right clic®

The most important criteria for selection, such as type and diameter of the pipe or cable as well as existing certifications, are listed together in table form, allowing you to find quickly the right CLIC

clic® Type	Clamping range [mm]		Steel		Copper	Cast iron	PE	PVC	Cable-metric measur-	Co-cable	Certification		Recomm. Load * [N]	
	min.	max.	mm	inch							Kiwa	UL		
														mm
8	7,8	9,5							8			✓	170	
10	9,5	11,8			10				10			✓	✓	185
12	11,8	14,3	13,5	1/4"	12				12			✓	✓	200
15	14,3	16,8			15			16	16	1/2"		✓	✓	220
17	16,8	19,5	17,2	3/8"	18							✓	✓	235
20	19,5	21,8	21,3	1/2"				20	20	5/8"		✓	✓	250
22	21,8	24,8			22							✓	✓	270
25	24,8	27,8	26,9	3/4"				25	25			✓	✓	300
28	27,8	31,2			28					7/8"		✓	✓	320
32	31,2	35,5	33,7	1"	35		32	32	32			✓	✓	370
36	35,5	39,5								1 1/4"		✓	✓	400
40	39,5	43,5	42,4	1 1/4"	42		40		40			✓	✓	440
47	46,5	50,5	48,3	1 1/2"		48	50	50	50	1 5/8"		✓	✓	470
51	50,5	55,5			54							✓	✓	500
59	58,5	64,0	60,3	2"	64			63				✓	✓	540
63	63	71					63		63			✓	✓	600
71	71	80	76,1	2 1/2"	76	78	75	75				✓	✓	740
80	80	90	88,9	3"	89							✓	✓	880
90	90	101					90					✓	✓	1000
101	101	113			108	110	110	110				✓	✓	1200
113	113	127	114,3	4"	114		125	125				✓	✓	1350

\* With screw DIN 96 at + 20 °C, safety factor ~ 3 included



[www.clic-original.com](http://www.clic-original.com)

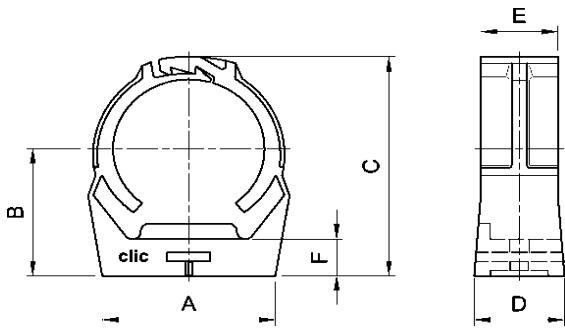


**CLIC**

- The economical system for a vast variety of inhouse applications
- One-piece, self locking pipe clamp
- Simple mounting without locking screws
- All types of inhouse installation
- Fast installation
- Clamping range 8-64 mm (0.31" to 2.52")
- Listed by UL, approved by KIWA® and UL®
- Halogen free as per IEC-Norm 754-2
- Burning behaviour as per UL94 HB

**CLIC 8-64 mm**

**Technical information**



type	A mm	B mm	C mm	D mm	E mm	F mm	safe working load in all directions* N
8	17.1	17.5	26.4	17.1	14.5	7.5	135
10	17.1	17.5	26.2	17.1	14.5	7.5	150
12	20.2	19.5	28.3	17.2	14.5	7.5	160
15	20.6	20.0	32.0	17.1	14.5	7.5	175
17	22.5	22.0	35.4	19.5	16.0	7.8	190
20	24.8	23.7	39.4	20.0	16.3	7.8	200
22	27.8	25.5	42.0	20.0	16.5	7.8	215
25	30.4	26.8	45.1	20.0	17.0	8.8	240
28	33.4	28.8	48.9	20.2	17.0	8.8	260
32	38.0	32.2	54.4	21.0	17.5	9.0	300
36	41.8	34.3	59.4	21.0	18.0	9.1	320
40	46.2	36.3	64.2	21.0	18.6	9.4	360
47	53.5	40.6	72.8	22.0	19.5	9.8	375
51	58.6	44.3	78.7	23.0	20.0	10.2	400
59	66.3	48.6	88.2	23.2	21.0	10.7	430

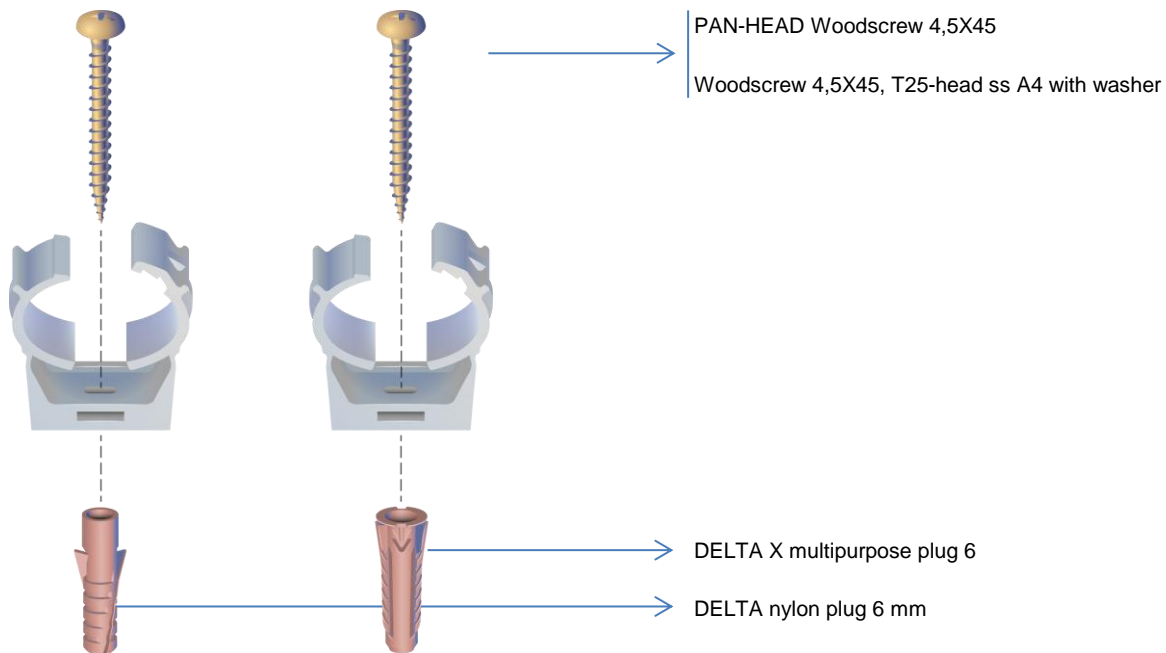
\* With screw DIN 96 at + 20 °C, safety factor > 2 included

## CLIC light grey (RAL 7035), 8–64 mm

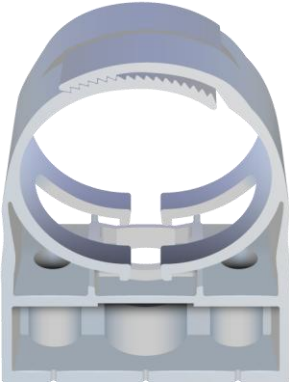
type	clamping range Ø mm	metric norm	pcs/ carton	Item no
8	7,8 - 9,5	8	100	A 88.238
10	9,5 - 11,8	10	100	A 88.239
12	11,8 - 14,3	12	100	A 88.129
15	14,3 - 16,8	16	100	A 88.131
17	16,8 - 19,5	-	100	A 88.224
20	19,5 - 21,8	20	100	A 88.172
22	21,8 - 24,8	-	100	A 88.173
25	24,8 - 27,8	25	50	A 88.134
28	27,8 - 31,2	-	50	A 88.243
32	31,2 - 35,5	32	50	A 88.137
36	35,5 - 39,5	-	50	A 88.246
40	39,5 - 43,5	40	25	A 88.146
47	46,5 - 50,5	50	25	A 88.189
51	50,5 - 55,5	-	25	A 88.148
59	58,5 - 64,0	63	20	A 88.177



Metric norm = Euro norm NIN 2000

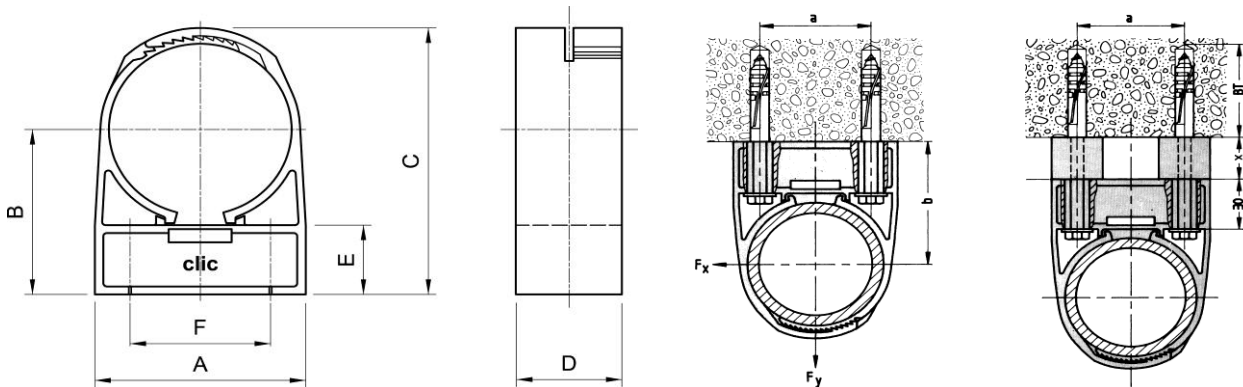


## CLIC 63-127 mm



**Inhouse installations**  
**Chemical industry**  
**Electrical installations (cable/conduits)**  
**Sanitary installations (cold and hot water pipes)**  
**Water supply installations**

### Technical information



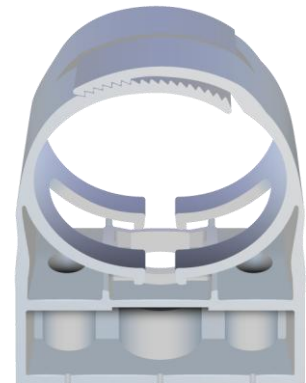
type	A mm	B mm	C mm	D mm	E mm	F mm	safe working load	
							$F_y$ N	$F_x$ N
63	78	72	115	40	31	52	420	240
71	87	77	124	40	31	58	520	310
80	98	83	136	40	31	66	620	380
90	110	89	148	40	31	76	700	450
101	124	96	163	40	31	86	840	520
113	139	105	180	40	31	102	970	590

with screw DIN 96 at + 20 °C, safety factor ~ 3 included

\* Load directions as above

### CLIC light grey (RAL 7035), 63-127 mm

type	clamping range Ø mm	pcs/ carton	Item no
63	63 - 71	25	A 88.890
71	71 - 80	40	A 88.891
80	80 - 90	40	A 88.892
90	90 - 101	25	A 88.893
101	101 - 113	25	A 88.894
113	113 - 127	25	A 88.895



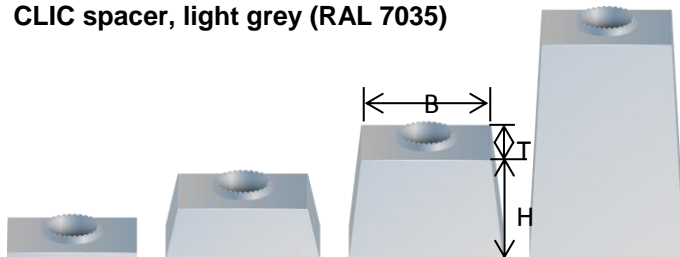
[www.clic-original.com](http://www.clic-original.com)



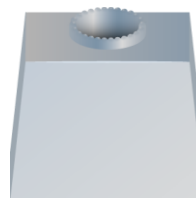


## Accessories for CLIC size 8-64 mm

### CLIC spacer, light grey (RAL 7035)



size	dimension T x B x H mm	pcs/ carton	Item no
2,5	20x24x2,5	100	A 88.260
5	20x24x5	100	A 88.261
15	20x24x15	100	A 88.262
25	20x24x25	100	A 88.263
35	20x24x35	100	A 88.264
45	20x24x45	100	A 88.265
65	20x24x65	50	A 88.266
85	23x30x85	50	A 88.267



### CLIC base plate for 2 pcs

for CLIC type 8–25

dimension length x depth x height mm	colour	pcs/ carton	Item no
70x20x5	light grey	50	A 88.272



### CLIC base plate for 3 pcs

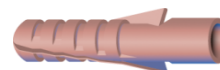
for CLIC type 8–25

dimension length x depth x height mm	colour	pcs/ carton	Item no
110x20x5	light grey	25	A 88.273



### DELTA nylon plug

size <sup>1</sup>	length of plug	for wood- screw Ø mm	pcs/ carton	Item no
6	29	3.5-5	1000	A 10.102
10	48	6-8	400	A 10.105



<sup>1</sup> Ø drill hole mm

## Pan-Head wood screw

with cross slot Z (pozidrive 2 impression), zinc plated yellow passivated

size <sup>1</sup> mm	pcs/ carton	Item no
3.5x35	200	A 63.303
3,5x40	200	A 63.304
3.5x50	200	A 63.306
4,5x40	200	A 63.323
4,5x45	200	A 63.324
4.5x50	200	A 63.325



<sup>1</sup> Ø x length mm

## Round-head wood screw

head T 25 with pressed-on washer, stainless steel A4 (1.4578/AISI 316)

size <sup>1</sup> mm	thickn. fastened max. mm by mounting with DELTA 6	pcs/ carton	Item no
4.5x40	6	100	A 62.182
4.5x50	16	100	A 62.178
4.5x70	36	100	A 62.184
4.5x80	46	100	A 62.179
4.5x90	56	100	A 62.180
4.5x110	76	100	A 62.181
4.5x125	91	100	A 62.185
4.5x135	101	100	A 62.186



<sup>1</sup> Ø x length mm

## CLIC flange M 6

for mounting CLIC range 8–59, zinc plated or stainless steel A4 (1.4404/AISI 316)

description	pcs/ carton	Item no
CLIC M6 flange nut zinc plated	100	A 88.130
CLIC M6 flange nut ss A4	100	A 88.240



## CLIC flange M 8

for mounting CLIC range 32–59, zinc plated or stainless steel A4 (1.4404/AISI 316)

description	pcs/ carton	Item no
CLIC M8 flange nut zinc plated	100	A 88.285
CLIC M8 flange nut ss A4	100	A 88.286



## Double-thread stud M6 and M 8

zinc plated or stainless steel A4 (1.4404/AISI 316)

size <sup>1</sup> mm	qual.	pcs/ carton	Item no
M6/M6x12	zp	100	B 16.111
M6/M6x12	ss	100	B 16.115



<sup>1</sup> thread x length mm

## TILCA flush anchor

zinc plated (zp) or stainless steel A4 (ss) (1.4401/AISI 316)  
with DIBt-approval

size <sup>1</sup> mm	drilling hole Øxd mm	thread length in mm	qual.	pcs/ carton	Item no
M6x30	8 x 33	13	zp	100	A 42.100
M6x30	8 x 33	13	ss	100	A 42.105
M8x40	10 x 43	20	zp	100	A 42.131
M8x40	10 x 43	20	ss	100	A 42.136



<sup>1</sup> female thread x length of plug mm

## TILCA flush anchor setting tool

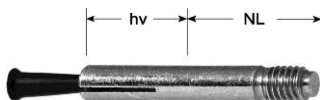
type	for flush anchor size	Item no
H-M	M5	A 42.116
H-M	M6	A 42.110
H-M	M8x40	A 42.117

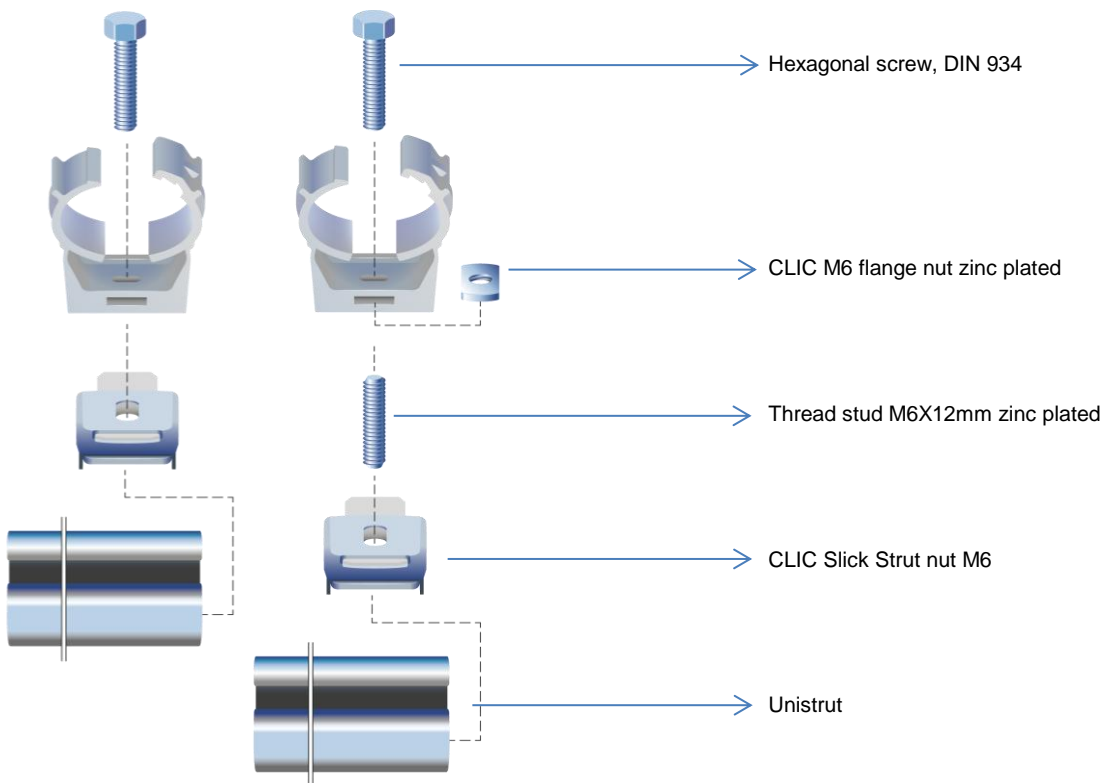
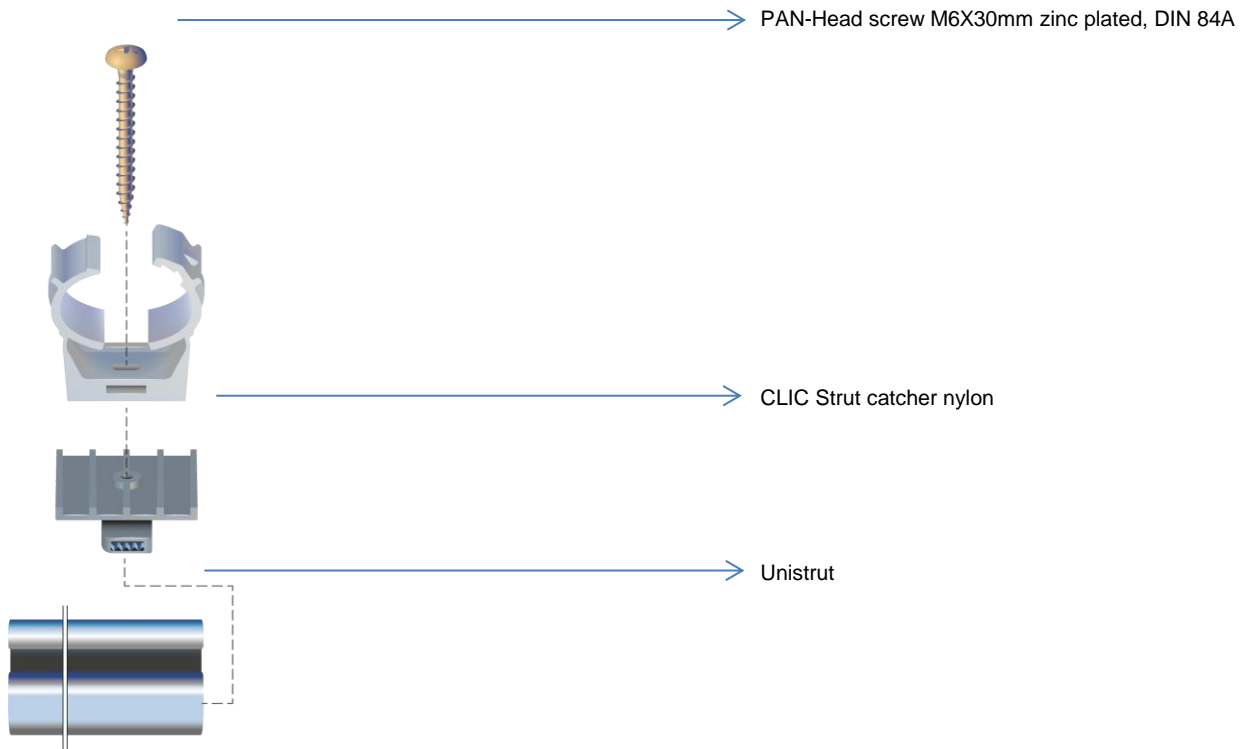


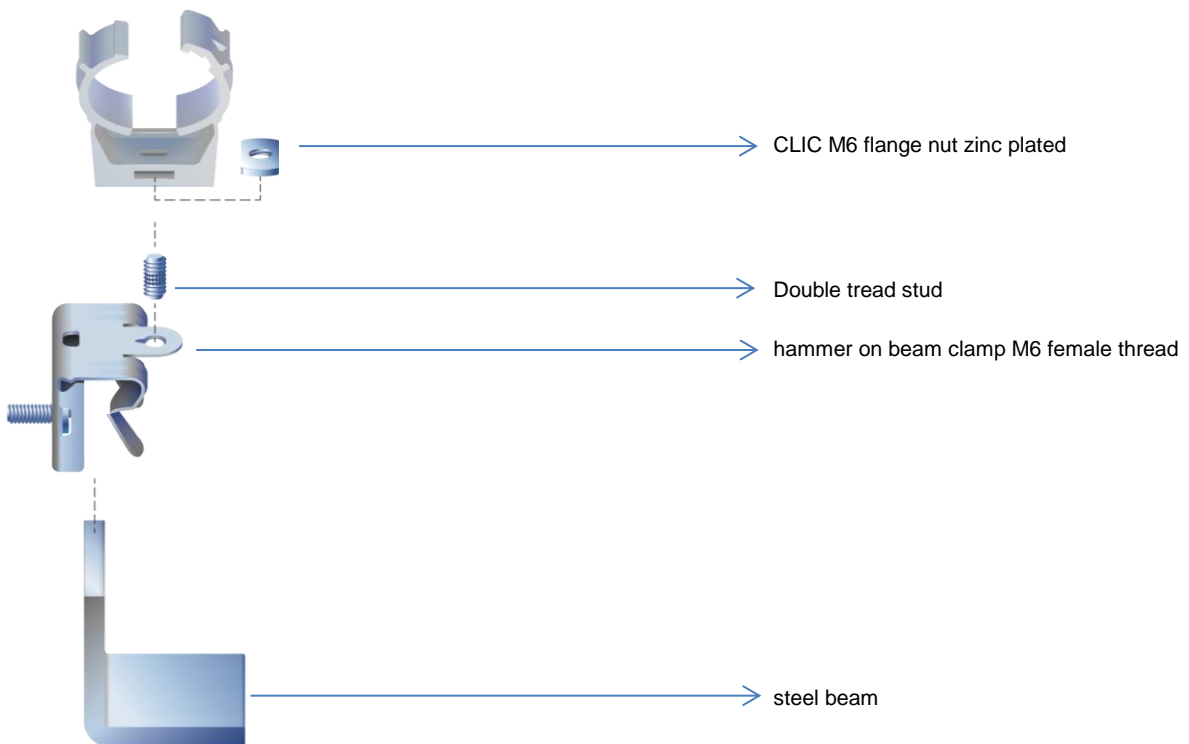
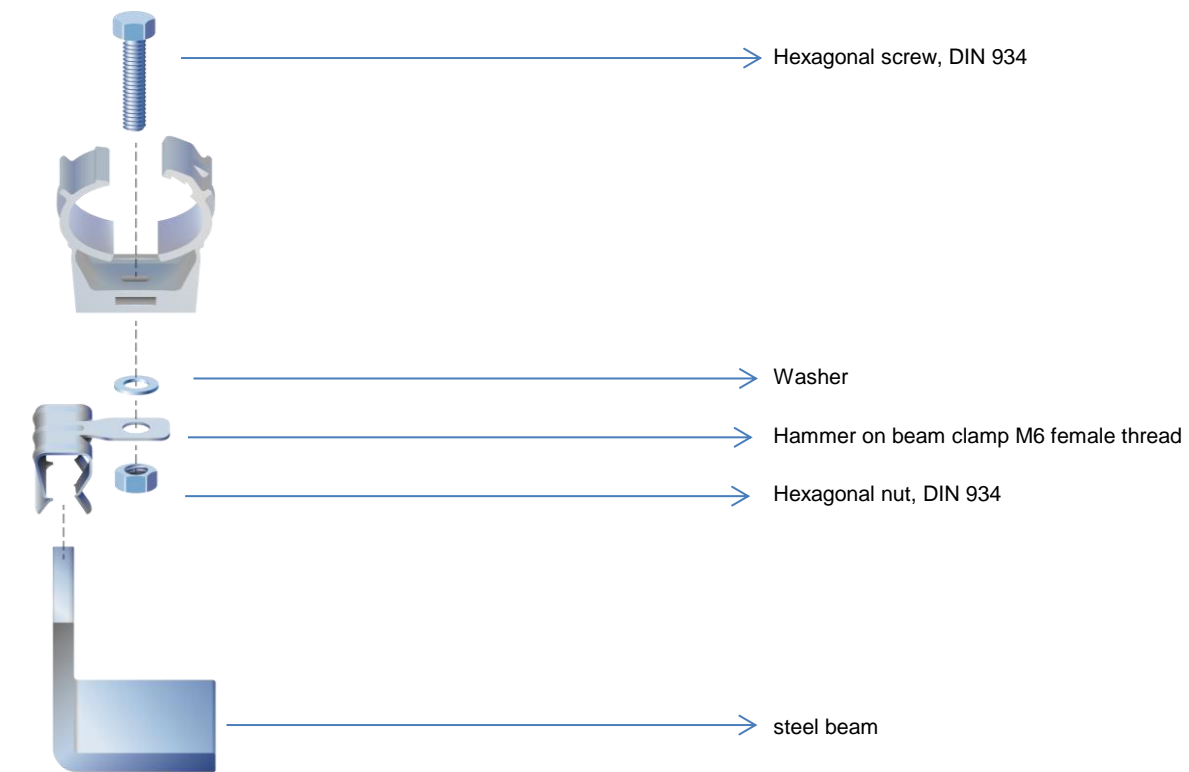
## TILCA Fire-resisting anchor

zinc plated or stainless steel (1.4401/AISI 316)

size <sup>1</sup> mm	thread length mm	drill Øxmin. depth mm	qual.	pcs/ carton	Item no
6/54	12	6 x 32	zp	100	A 45.807
6/90	12	6 x 32	zp	100	A 45.810
6/54	12	6 x 32	ss	100	A 45.827
6/90	12	6 x 32	ss	100	A 45.830
6x102/50L	30	6 x 42	ss	100	A 45.896





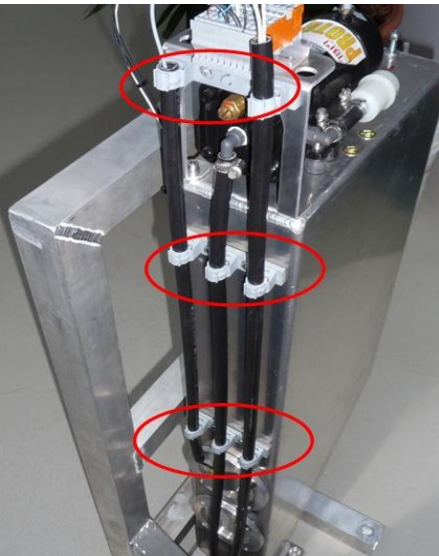


## Accessories CLIC 63-127 mm

### CLIC flange

zinc plated and passivated or stainless steel A4  
(1.4404/AISI 316)

thread size	dim. l x w x h	qual.	pcs/ carton	Item no
M8	20x20x6	zp	25	A 88.382
M10	20x20x6	zp	25	A 88.381
M10	20x20x6	ss	25	A 88.386



[www.clic-original.com](http://www.clic-original.com)

## Technical data sheet

clic® 8 - 64 mm / 63 - 127 mm

### Application areas

Installation in the **internal area**  
Chemical industry  
Electrical installations (cable/conduits)  
Sanitary installations (cold and hot water pipes)  
Swimming pools: technical cabinets / racks  
Switching cabinets / Electrical racks

### Features

Self-locking system without tools  
Clamping range 8 - 127 mm (0.31" to 5")  
Mounting with bolts or wood screws  
Very little moisture absorption  
Approved by KIWA® and UL®  
Switching cabinets / Electrical racks

### Technical data clic® 8 - 64 mm

<b>Material quality</b>	High quality copolymer
<b>Density at +20 °C</b>	1,21 g/cm <sup>3</sup>
<b>Elongation at yield</b>	5%
<b>E-Modulus in tension</b>	2100 MPa
<b>Water absorption at 23 °C</b>	0,50 %
<b>Moisture absorption (23 °C / 50 % R.H.)</b>	0,15 %
<b>Shore hardness D</b>	82
<b>Dielectric strength</b>	33 kV/mm
<b>Weather proof</b>	-25 °C up to +90 °C
<b>Mounting temperature</b>	down to -10 °C
<b>Maximum service temperature short term</b>	+120 °C
<b>Maximum service temperature long term</b>	+75 to +90 °C
<b>Flammability</b>	HB according to UL 94
<b>Fire class</b>	B2 according to DIN 4102
<b>Halogen</b>	halogen free as per IEC 754-2
<b>Petrol, diesel, oil</b>	resistant
<b>Corrosion</b>	resistant
<b>Weather-proof</b>	no decomposition with correct use
<b>UV</b>	UV-stabilized as per ISO 4892-2
<b>Standard colours</b>	light grey (RAL 7035)
<b>Special colours</b>	on request

### Technical data clic® 63 - 127 mm

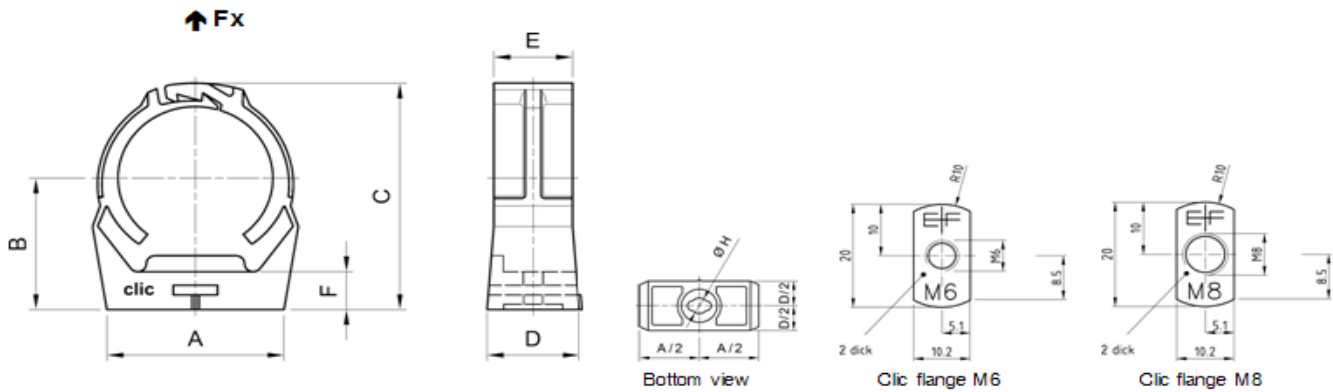
<b>Material quality</b>	High quality PP homopolymere
<b>Density at +20 °C</b>	0,91 g/cm <sup>3</sup>
<b>Tensile strain at yield</b>	9%
<b>Tensile modulus</b>	1500 MPa
<b>Hardness, Rockwell</b>	98 R-scale
<b>Service temperature</b>	-10 °C to +80 °C
<b>Melting temperature</b>	+230 °C
<b>Flammability</b>	HB according to UL 94
<b>Halogen</b>	halogen free as per IEC 754-2
<b>Corrosion</b>	resistant
<b>UV</b>	not stabilized
<b>Standard colour</b>	light grey (RAL 7035)
<b>Special colour</b>	on request

[www.clic-original.com](http://www.clic-original.com)

**clic® type selection chart for od 8 - 64mm on pipes or cables**

clic® Type	Steel		Copper	Cast iron	PE	PVC	Cable- metric measur	Coaxial cable	Certifica			Breaking load [N]
	mm	inch	mm	mm	mm	mm	M	inch	Kiwa		UL	Fx**
8							8				✓	378
10			10				10		✓		✓	420
12	13,5	1/4"	12				12		✓		✓	448
15			15			16	16	1/2"	✓		✓	490
17	17,2	3/8"	18						✓		✓	532
20	21,3	1/2"				20	20	5/8"	✓		✓	560
22			22						✓		✓	602
25	26,9	3/4"				25	25		✓		✓	672
28			28					7/8"	✓		✓	728
32	33,7	1"	35		32	32	32		✓		✓	840
36								1 1/4"	✓		✓	896
40	42,4	1 1/4"	42		40		40		✓		✓	1008
47	48,3	1 1/2"		48	50	50	50	1 5/8"	✓		✓	1050
51			54						✓		✓	1120
59	60,3	2"	64			63					✓	1204

\*\* with screw DIN 96 at +20 °C, safety factor must be considered!



clic® Type	Clamping range [mm]		A [mm]	B [mm]	C [mm]	D [mm]	E [mm]	F [mm]	H*	
	min.	max.							wood [mm]	metric
8	7,8	9,5	17,1	17,5	26,4	17,1	14,5	7,5	4,5	M6
10	9,5	11,8	17,1	17,5	26,2	17,1	14,5	7,5	4,5	M6
12	11,8	14,3	20,2	19,5	28,3	17,2	14,5	7,5	4,5	M6
15	14,3	16,8	20,6	18,8	32,0	17,1	14,5	7,5	4,5	M6
17	16,8	19,5	22,5	23,7	35,4	19,5	16,0	7,8	4,5	M6
20	19,5	21,8	24,8	24,9	39,4	20,0	16,3	7,8	4,5	M6
22	21,8	24,8	27,8	26,0	42,0	20,0	16,5	7,8	4,5	M6
25	24,8	27,8	30,4	28,0	45,1	20,0	17,0	8,8	4,5	M6
28	27,8	31,2	33,4	31,7	48,9	20,2	17,0	8,8	4,5	M6
32	31,2	35,5	38,0	34,5	54,4	21,0	17,5	9,0	4,5	M6 / M8
36	35,5	39,5	41,8	36,5	59,4	21,0	18,0	9,1	4,5	M6 / M8
40	39,5	43,5	46,2	38,2	64,2	21,0	18,6	9,4	4,5	M6 / M8
47	46,5	50,5	53,5	43,0	72,8	22,0	19,5	9,8	4,5	M6 / M8
51	50,5	55,5	58,6	46,8	78,7	23,0	20,0	10,2	4,5	M6 / M8
59	58,5	64,0	66,3	52,0	88,2	23,2	21,0	10,7	4,5	M6 / M8

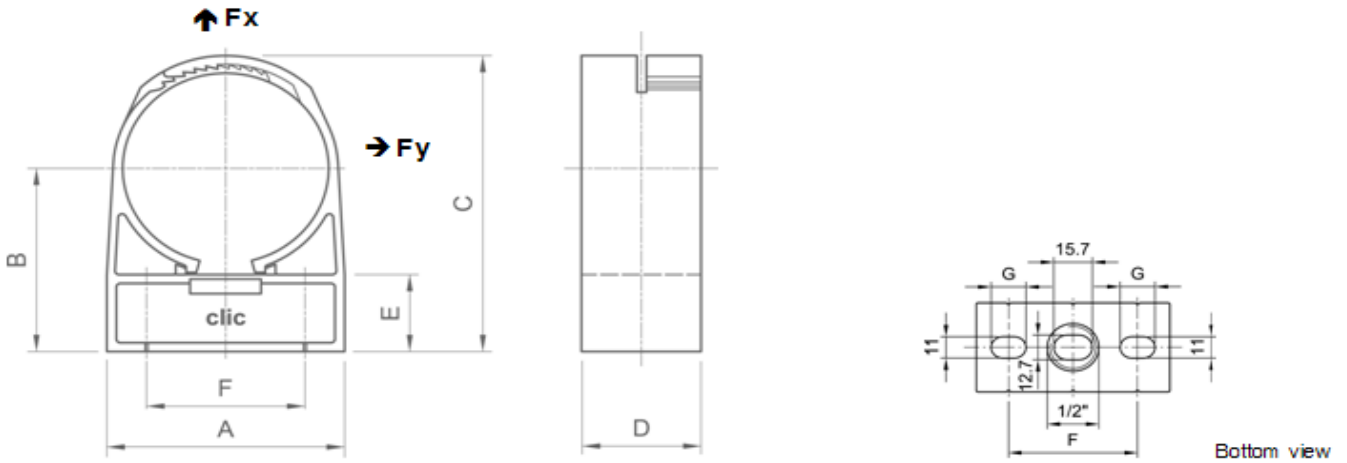
\* H = screw diameter; wood screw (wood) / metal screw (metric)



**clic® type selection chart for od 63 - 127mm on pipes or cables**

clic® Type	Steel		Copper	Cast iron	PE	PVC	Cable ducts	Coaxial cable	Certification			Breaking	
	mm	inch	mm	mm	mm	mm		inch	Kiwa		UL	Fx*	Fy*
63					63		63		✓		✓	1440	800
71	76,1	2 ½"	76	78	75	75			✓		✓	1760	1040
80	88,9	3"	89						✓		✓	2080	1280
90					90				✓		✓	2400	1520
101			108	110	110	110			✓		✓	2800	1760
113	114,3	4"	114		125	125			✓		✓	3200	2000

\* with 2 screws DIN 571 at +20 °C, safety factor must be considered!



Type	Clamping range		A	B	C	D	E	F	G
	min.	max.	[mm]	[mm]	[mm]	[mm]	[mm]	[mm]	[mm]
63	63	71	78	72	115	40	31	52	11
71	71	80	87	77	124	40	31	58	15
80	80	90	98	83	136	40	31	66	16
90	90	101	110	89	148	40	31	76	16
101	101	113	124	96	163	40	31	86	17
113	113	127	139	105	180	40	31	102	17



[www.clic-original.com](http://www.clic-original.com)

Material	Concentration	Resistance at +23 °C	Material	Concentration	Resistance at +23 °C
Acetic acid	5%	●●	Heating oil		●●●
Acetone		●	Heptane, Hexane		●●●
Acetylene		●●●	Hydraulic oil		●●
Ammonia	liquid	●●	Hydrochloric acid	10%	●●●
Benzene		●●●	Hydrogen fluoride		●●
Brake fluid		●●●	Inert gas		●●●
Butane		●●●	Iso-octane		●●●
Butanol		●●	Isopropanol		●●●
Butyl acetate		●●	Ketone aliphatic		●
Carbon monoxide		●●●	Lacquer		●●●
Carbon tetrachloride		●	Methanol		●●●
Carbonic acid		●●●	Methylene chloride		●
Caustic potash	10%	●	Mineral oil		●●●
Chlorobenzene		●	Naphthaline		●●
Chlorine gas		●	Nitric acid	10%	●●
Chloroform		●	Nitrohydrochloric acid		●
Citric acid	10%	●●●	Oleum		●
Decalin		●●	Ozone		●
Dibutylphthalate		●●	Paraffin		●●●
Diesel fuel		●●●	Perchloric acid		●
Dimethyl formamide		●	Petroleum ether		●●●
Dimethylether		●●	Phosphoric acid	10%	●●●
Diocetylphthalate		●●	Potassium hypochlorite		●●●
Dioxan		●	Silicon oils		●●●
Engine oil		●●●	Sodium hydroxide	10%	●
Ethanol		●●●	Soldering water		●●
Ethyl acetate		●●	Sulphuric acid	10%	●●●
Ethyl ether		●●●	Styrol		●●
Ethylene oxide		●●●	Tetrahydrofurene		●
Fatty acid		●●	Toluene		●●
Fatty alcohol		●●●	Transmission oil		●●●
Formic acid	10%	●●●	Trichlorethane		●
Glycerine		●●●	Trichlorethylene		●
Glycol		●●●	Turpentine		●●
Glysantine		●●●	Turpentine oil replacement		●●
			Xylene		●●

- resistant, none or little change of weight
- limited resistance, contact short-term possible
- not resistant

The recommendations and data given are based on our experience to date.  
No liability can be assumed in connection with their usage and processing.

## How to find the right clic®

The most important criteria for selection, such as type and diameter of the pipe or cable as well as existing certifications, are listed together in table form, allowing you to find quickly the right CLIC

clic® Type	Clamping range [mm]		Steel		Copper	Cast iron	PE	PVC	Cable- metric measur-	Co- cable	Certification		Recomm. Load * [N]
	min.	max.	mm	inch							Kiwa	UL	
8	7,8	9,5							8			✓	170
10	9,5	11,8			10				10		✓	✓	185
12	11,8	14,3	13,5	1/4"	12				12		✓	✓	200
15	14,3	16,8			15			16	16	1/2"	✓	✓	220
17	16,8	19,5	17,2	3/8"	18						✓	✓	235
20	19,5	21,8	21,3	1/2"				20	20	5/8"	✓	✓	250
22	21,8	24,8			22						✓	✓	270
25	24,8	27,8	26,9	3/4"				25	25		✓	✓	300
28	27,8	31,2			28					7/8"	✓	✓	320
32	31,2	35,5	33,7	1"	35		32	32	32		✓	✓	370
36	35,5	39,5								1 1/4"	✓	✓	400
40	39,5	43,5	42,4	1 1/4"	42		40		40		✓	✓	440
47	46,5	50,5	48,3	1 1/2"		48	50	50	50	1 5/8"	✓	✓	470
51	50,5	55,5			54						✓	✓	500
59	58,5	64,0	60,3	2"	64			63			✓	✓	540
63	63	71					63		63		✓	✓	600
71	71	80	76,1	2 1/2"	76	78	75	75			✓	✓	740
80	80	90	88,9	3"	89						✓	✓	880
90	90	101					90				✓	✓	1000
101	101	113			108	110	110	110			✓	✓	1200
113	113	127	114,3	4"	114		125	125			✓	✓	1350

\* With screw DIN 96 at + 20 °C, safety factor ~ 3 included



[www.clic-original.com](http://www.clic-original.com)

