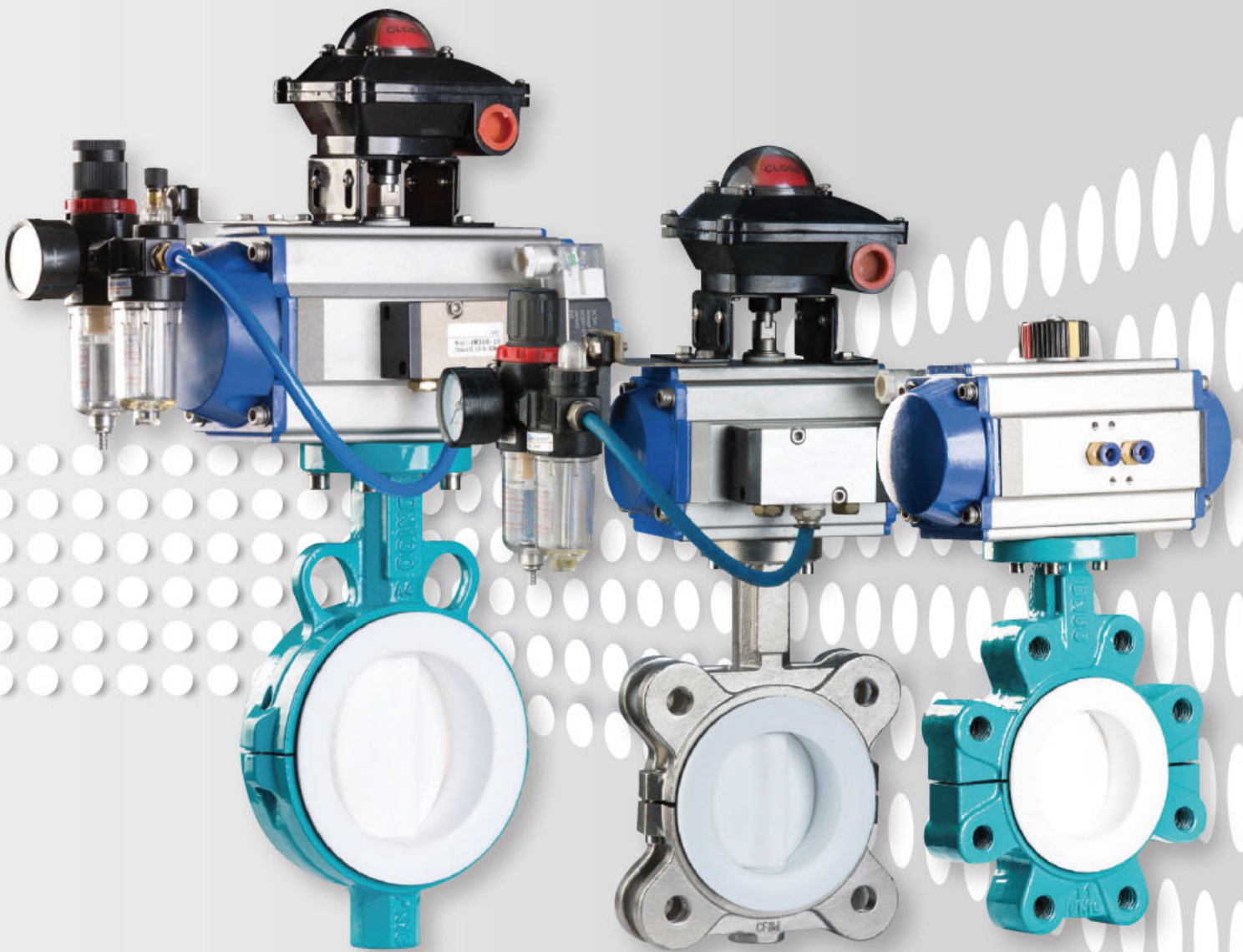


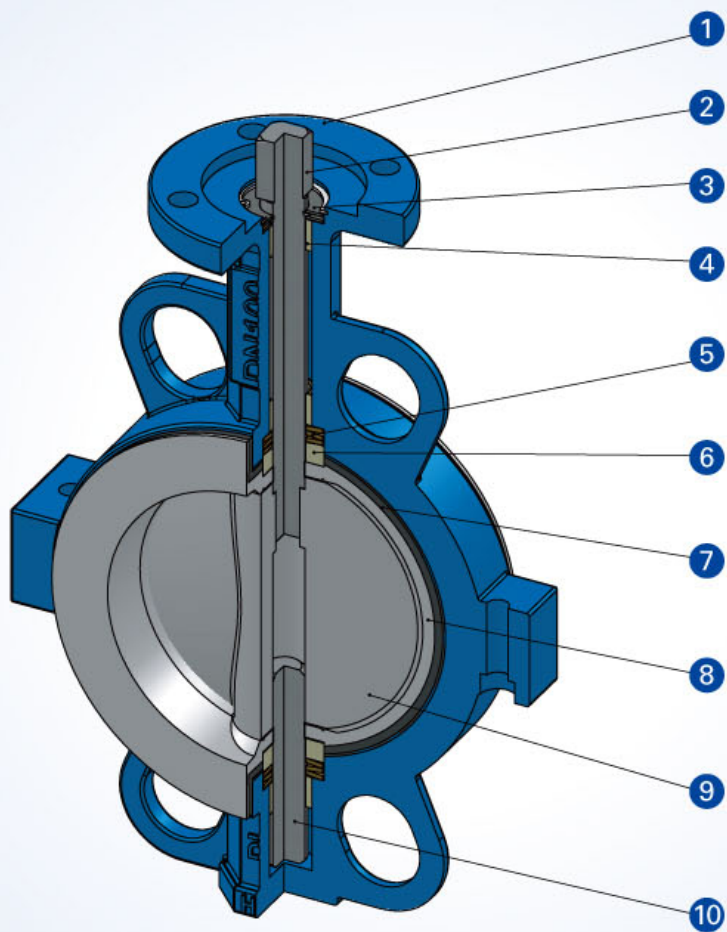
Corrosion Resistant
PTFE Lined
Butterfly Valves

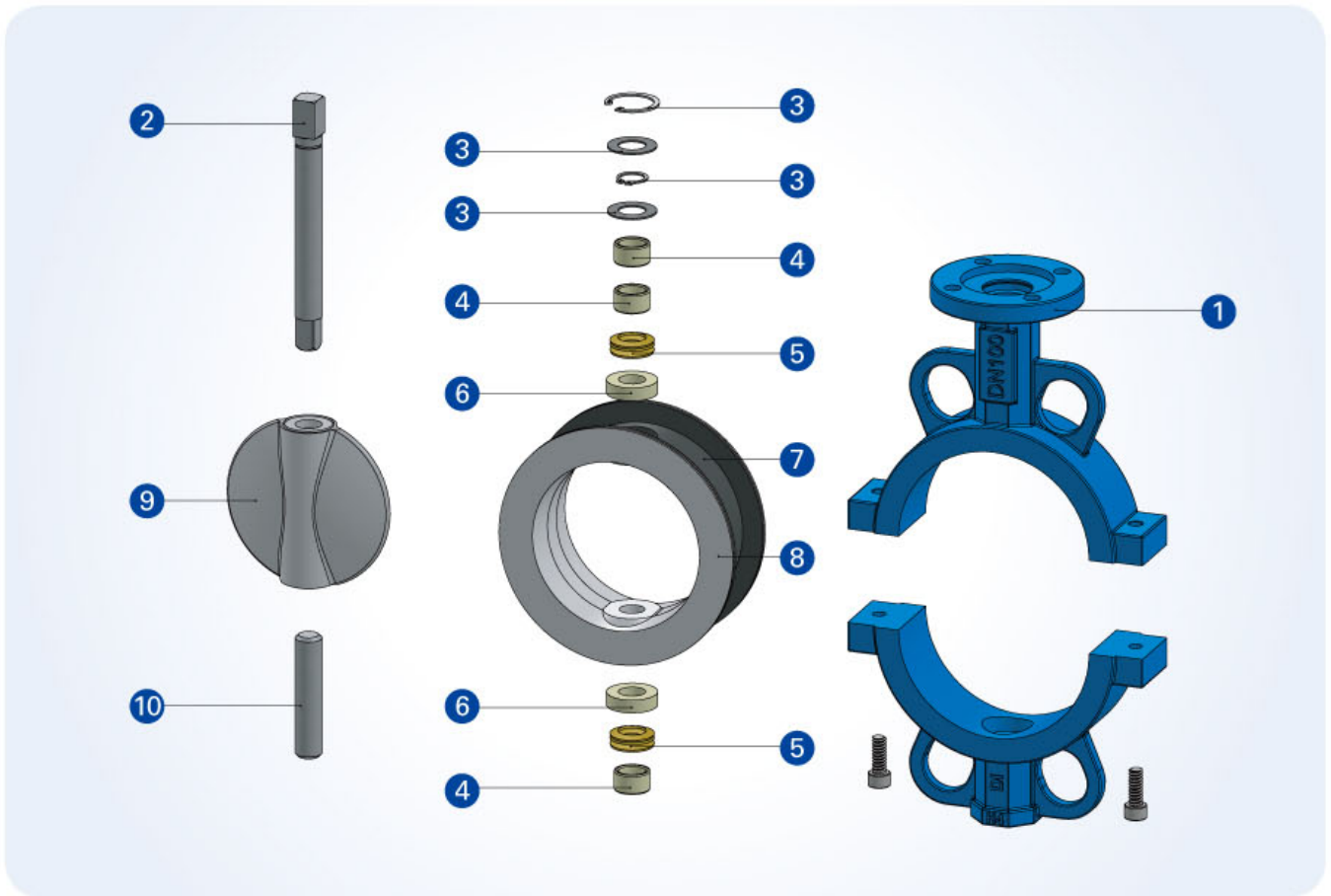


주식회사 엠엠피
(Modern Maintenance Products Co.,Ltd)

PTFE LINED VALVE SPECIFICATION

Size	50mm ~ 800mm (2"~32")
Working Temperature	PTFE+EPDM back up -20~120°C PTFE+Viton back up -20~190°C
Working Pressure	50mm ~ 150mm Max 16 bar 200mm ~ 400mm Max 10 bar 450mm ~ 800mm Max 6 bar
Face to Face	API609 & ISO 5752
Top Flange	ISO 5211
Flange Ends	ANSI B16.5, JIS B2212, DIN2632 (ANSI 150#, JIS 10K, PN10, PN16)
Pressure Testing	ISO 5208
Painting	Epoxy coated 250µm RAL 5010 Gentian blue (Standard color)

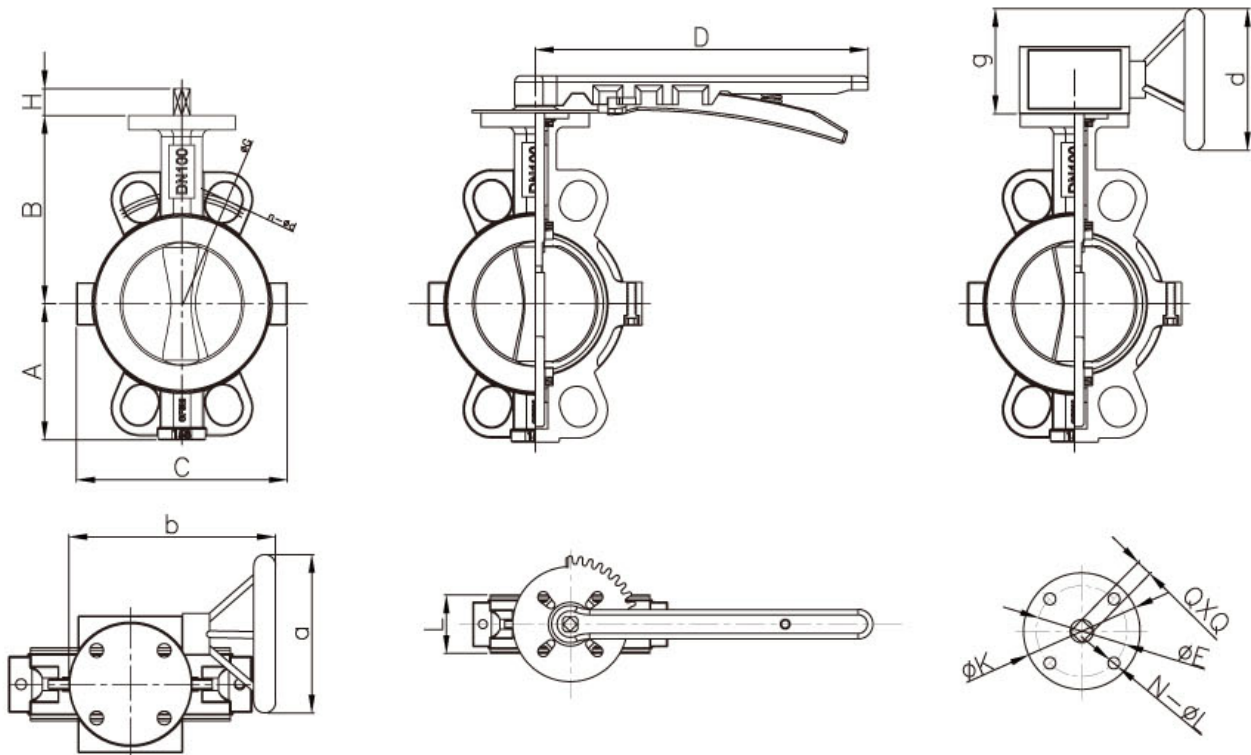




MATERIALS SELECTION

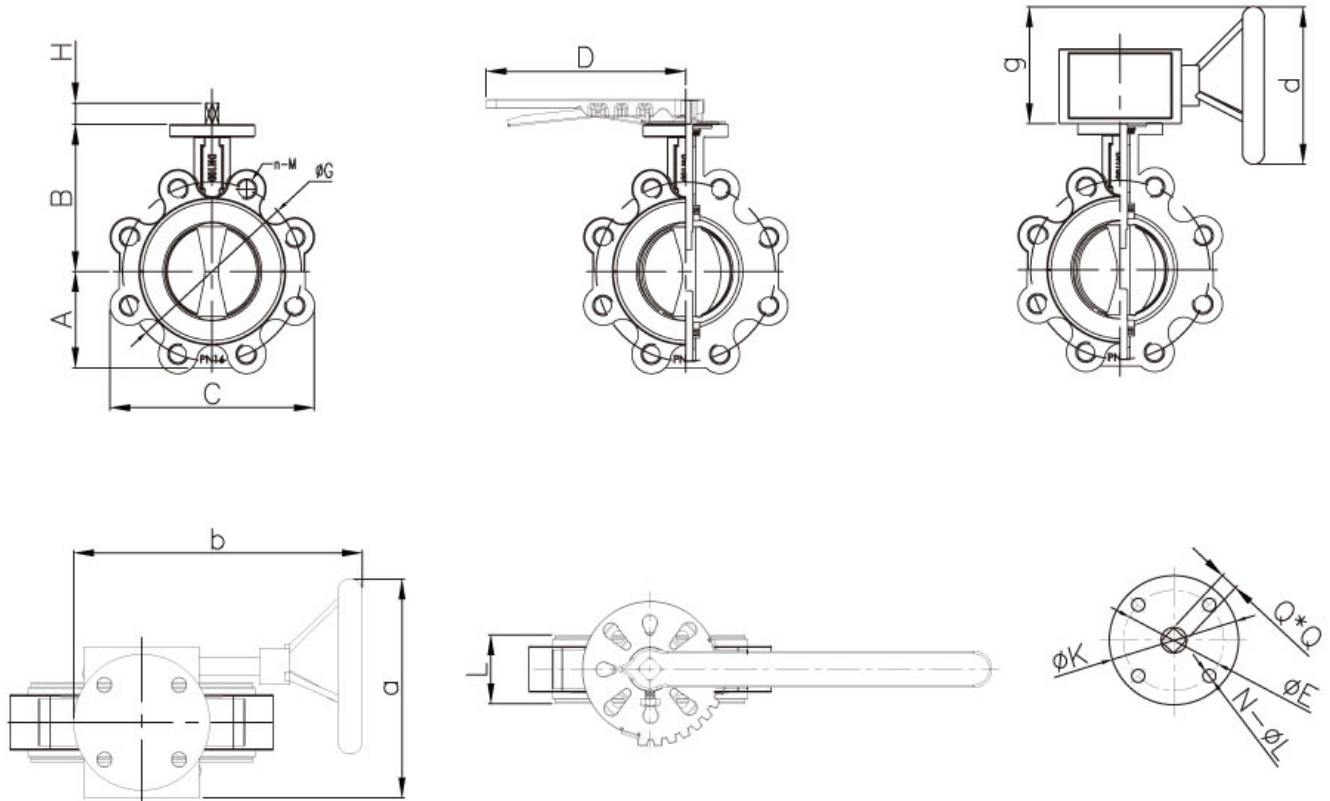
No	Description	Q'ty	Materials	Materials According to Norms	
				ASTM	JIS
1	Body	1	Ductile Iron Stainless Steel	ASTM A395 A351-CF8	FCD400 G5121 SCS13A
2	Stem	1	Stainless Steel	A351-CF8	G5121 SCS13A
3	Check Ring	4	SUS201	-	-
4	Stem Sleeve	3	FRP+RPTFE	-	-
5	Butterfly Spring	6	Spring Steel	-	-
6	Elastic Sleeve	2	FRP+RPTFE	-	-
7	Rubber	1	EPDM	-	-
8	Seat	1	PTFE	-	-
9	Disc	1	Stainless Steel+PTFE/ PFA	A351-CF8+PTFE/ PFA	G5121 SCS13A+PTFE/ PFA
10	Stem	1	Stainless Steel	A351-CF8	G5121 SCS13A

Size DN (mm)	WAFER BUTTERFLY VALVE BARE & LEVER TYPE DIMENSION																			Weight (kg)
	A	B	C	L	H	UPPER FLANGE				ANSI 150#		DIN PN 10		DIN PN 16		JIS 10K		LEVER		
						K	E	N-øL	QXQ	øG	n-ød	øG	n-ød	øG	n-ød	øG	n-ød	øG	n-ød	
50	65	138	110	47	32	65	50	4-7	9	120.5	4-19	125	4-19	120	4-19	125	4-19	260	2.85	
65	72	140	125	50	32	65	50	4-7	9	139.5	4-19	145	4-19	140	4-19	145	4-19	260	3.31	
80	85	140	143	50	32	65	50	4-7	9	152.5	4-19	160	8-19	150	8-19	160	8-19	260	3.76	
100	102	160	170	55.5	32	90	70	4-10	11	190.5	8-19	180	8-19	175	8-19	180	8-19	260	5.25	
125	120	175	197	59	32	90	70	4-10	14	216	8-22.4	210	8-19	210	8-23	210	8-19	310	7.38	
150	137	189	230	59	32	90	70	4-10	14	241.5	8-22.4	240	8-22	240	8-23	240	8-22	310	8.25	
200	169	230	284	63	32	125	102	4-12	17	298.5	8-22.4	295	8-22	290	12-23	295	8-22	310	16	



Size DN (mm)	WAFER BUTTERFLY VALVE BARE & GEAR TYPE DIMENSION																			Weight (kg)			
	A	B	C	L	H	UPPER FLANGE				ANSI 150#		DIN PN 10		DIN PN 16		JIS 10K		GEAR BOX					
						K	E	N-øL	QXQ	øG	n-ød	øG	n-ød	øG	n-ød	øG	n-ød	øG	n-ød		a	b	g
125	120	175	197	59	32	90	70	4-10	14	216	8-22.4	210	8-19	210	8-19	210	8-23	10.93	125	125	125	125	4.3
150	137	189	230	59	32	90	70	4-10	14	241.5	8-22.4	240	8-22	240	8-22	240	8-23	11.8	150	150	150	150	4.7
200	169	230	284	63	32	125	102	4-12	17	298.5	8-22.4	295	8-22	295	12-22	290	12-23	19.8	200	200	200	200	6.9
250	202	270	336	73	45	125	102	4-12	22	362	12-25.4	350	12-22	355	12-26	355	12-25	28	250	250	250	250	6.9
300	223	306	396	81	45	125	102	4-12	22	432	12-25.4	400	12-22	410	12-26	400	16-25	42.6	300	300	300	300	12
350	255	333	460	81	45	125	102	4-12	22	476.3	12-28.4	460	16-22	470	16-26	455	16-25	68	350	350	350	350	12
400	298	408	526	102	52	175	140	4-18	27	539.9	16-28.4	515	16-26	525	16-30	510	16-27	115	400	400	400	400	36.1
450	315	422	616	116.5	52	175	140	4-18	27	577.9	16-31.75	565	20-26	585	20-30	565	20-27	160	450	450	450	450	36.1
500	356	480	685	130	66	210	165	4-22	36	635	20-31.75	620	20-26	650	20-33	620	20-27	200	500	500	500	500	36.1
600	440	562	818	157	66	210	165	4-22	42	749.3	20-35.1	725	20-30	770	20-36	730	24-33	255	600	600	600	600	54.5
700	520	625	910	165	66	300	254	8-18	46	863.6	28-35.1	840	24-30	840	24-36	840	24-30	350	700	700	700	700	87.5
800	590	672	1050	188	66	300	254	8-18	50	977.9	28-41.3	950	24-33	950	24-39	950	28-33	450	800	800	800	800	87.5

Size DN (mm)	LUG BUTTERFLY VALVE BARE & LEVER TYPE DIMENSION																		Weight (kg)
	A	B	C	L	H	UPPER FLANGE			QXQ	ANSI 150		DIN PN 10		DIN PN 16		JIS 10K		LEVER D	
						K	E	N- ϕ L		ϕ G	n-M	ϕ G	n-M	ϕ G	n-M	ϕ G	n-M		
50	64	130	128	47	32	65	50	4-6	9	120.5	4-5/8"	125	4-M16	125	4-M16	120	4-M16	260	3.8
65	70	140	140	50	32	65	50	4-6	9	139.5	4-5/8"	145	4-M16	145	4-M16	140	4-M16	260	4.5
80	85	140	182	50	32	65	50	4-6	9	152.5	4-5/8"	160	8-M16	160	8-M16	150	8-M16	260	5
100	101	160	206	55.5	32	90	70	4-10	11	190.5	8-5/8"	180	8-M16	180	8-M16	175	8-M16	260	7.5



Size DN (mm)	LUG BUTTERFLY VALVE BARE & GEARTYPE DIMENSION																		Weight (kg)				
	A	B	C	L	H	UPPER FLANGE			QXQ	ANSI 150#		DIN PN 10		DIN PN 16		JIS 10K		GEAR BOX					
						K	E	N- ϕ L		ϕ G	n-M	ϕ G	n-M	ϕ G	n-M	ϕ G	n-M	a		b	g	d	
125	114	175	228	59	30	90	70	4-10	14	216	8-3/4"	210	8-M16	210	8-M16	210	8-M20	11.8	194	207	133	148	4.3
150	130	190	262	59	30	90	70	4-10	14	241.5	8-3/4"	240	8-M20	240	8-M20	240	8-M20	12.5	194	207	133	200	4.7
200	158	230	330	63	35	125	102	4-12	17	298.5	8-3/4"	295	8-M20	295	12-M20	290	12-M20	21.2	285	300	178	285	6.9
250	196	260	392	73	38	125	102	4-12	22	362	12-7/8"	350	12-M20	355	12-M24	355	12-M22	29.4	285	300	178	285	6.9
300	230	306	465	81	38	125	102	4-12	22	432	12-7/8"	400	12-M20	410	12-M24	400	16-M22	43.5	300	301	180	285	12
350	260	320	500	81	45	125	102	4-12	22	476.3	12-1"	460	16-M20	470	16-M24	445	16-M22	78.2	300	301	180	285	12
400	298	408	585	102	45	175	140	4-18	27	539.9	16-1"	515	16-M24	525	16-M27	510	16-M24	115	420	369	270	285	36.1
450	315	422	616	116.5	52	175	140	4-18	27	577.9	16-1.1/8"	565	20-M24	585	20-M27	565	20-M24	184	420	369	270	285	36.1
500	356	480	685	130	66	210	165	4-22	36	635	20-1.1/8"	620	20-M24	650	20-M30	620	20-M24	230	420	369	270	285	36.1
600	440	562	818	157	66	210	165	4-22	42	749.3	20-1.1/4"	725	20-M27	770	20-M33	730	24-M30	300	516	428	324	385	54.5
700	520	625	910	165	66	300	254	8-18	46	863.6	28-1.1/4"	840	24-M27	840	24-M33	840	24-M30	405	583	486	373	425	87.5
800	590	672	1050	188	66	300	254	8-18	50	977.9	28-1.1/2"	950	24-M30	950	24-M36	950	28-M30	518	583	486	373	425	87.5

TORQUE OF PTFE BUTTERFLY VALVE (N.M)

DN \ PN	0.1MPa		0.6MPa		1.0MPa		1.6MPa	
	Without Pressure	With Pressure	Without Pressure	With Pressure	Without Pressure	With Pressure	Without Pressure	With Pressure
40	10	25	22	35	25	40	28	43
50	10	25	22	35	25	40	28	43
65	12	32	26	45	30	50	35	55
80	12	32	40	60	45	65	50	70
100	18	38	60	80	65	85	70	90
125	25	65	80	120	110	150	115	155
150	30	70	130	170	150	190	160	200
200	50	100	250	325	300	428	-	-
250	80	120	330	429	400	520	-	-
300	100	150	420	546	550	715	-	-
350	120	180	600	780	1000	1300	-	-
400	180	280	1300	1690	-	-	-	-
450	230	330	1950	2535	-	-	-	-
500	330	450	2300	2990	-	-	-	-
600	400	600	3250	4225	-	-	-	-
700	600	800	4500	5850	-	-	-	-
800	800	1050	6500	8450	-	-	-	-
900	1100	1500	7200	9360	-	-	-	-
1000	1500	1880	8200	12200	-	-	-	-



CV VALUE OF THE FLOW COEFFICIENT

Size	PTFE DISC CV (Gallon/Min)								
mm	10°	20°	30°	40°	50°	60°	70°	80°	90°
50	0.1	4.5	12	24	45	60	90	120	130
65	0.2	6.5	20	38	65	90	140	200	210
80	0.3	10	22	40	70	115	180	275	300
100	0.5	17	36	75	135	230	350	520	600
125	0.8	28	60	130	231	385	620	920	1000
150	1.8	40	95	201	356	600	950	1400	1500
200	3	85	188	401	715	1200	1900	2810	3000
250	4	150	312	684	1254	1980	3200	4831	5200
300	5	230	465	1001	1810	3000	5000	7500	8180
350	6	300	700	1500	2756	4500	7200	10010	11565
400	8	450	963	2101	3564	6200	9500	14850	16188
450	15	550	1220	2320	3860	6561	11210	16500	21568
500	22	680	1660	2810	4395	7212	12950	19856	27600
600	40	1110	2520	4650	6981	18880	19850	28650	34680

Size	Stainless Steel DISC CV (Gallon/Min)								
mm	10°	20°	30°	40°	50°	60°	70°	80°	90°
50	1	5	13	26	50	66	99	132	143
65	1	7	22	42	72	99	154	220	231
80	2	11	24	44	77	127	198	303	330
100	3	19	40	83	149	253	385	572	660
125	4	31	66	143	254	424	682	1012	1100
150	5	44	105	221	392	660	1045	1540	1650
200	8	94	207	441	787	1320	2090	3091	3300
250	10	165	343	752	1379	2178	3520	5314	5720
300	16	253	512	1101	1991	3300	5500	8250	8998
350	18	330	770	1650	3032	4950	7920	11011	12722
400	28	495	1059	2311	3920	6820	10450	16335	17807
450	16	605	1342	2552	4246	7217	12331	18150	23724
500	24	748	1826	3091	4834	7933	14245	21841	30360
600	44	1221	2772	5115	7679	20768	21835	31515	38148

Corrosion Resistant **PTFE Lined Butterfly Valves**



주식회사 엠엠피

(Modern Maintenance Products Co.,Ltd)

www.mmpkorea.com

본 사 | 경기도 시흥시 마유로 118번길 39호
(정왕동, 3라 715호)
Tel 031 494 0889 Fax 031 494 5163
E-mail mmp@mmpkorea.com

부산영업소 | Tel 051 319 2890 Fax 051 319 2893
구미영업소 | Tel 054 475 0612 Fax 054 475 0619